



**NITROMASTER  
TOOLBAR  
8500 SERIES  
19' CENTER SECTION**

OWNERS MANUAL  
ASSEMBLY INSTRUCTIONS  
AND PARTS LIST  
**OM-8500**

HEARTLAND AG SYSTEMS  
1180 STATE HWY 7 EAST  
HUTCHINSON, MN. 55350  
(320) 587-4030

ISSUE  
SEPTEMBER 2024



# WARRANTY REGISTRATION

## TO THE DEALER:

Inspect the implement thoroughly after assembly to be certain it is functioning properly before delivering it to the customer. Check off each item as it is found satisfactory or after proper adjust is made.

### PRE -DELIVERY CHECKLIST

- \_\_\_\_\_ 1. All hardware properly tightened.
- \_\_\_\_\_ 2. Lubrication of grease fittings.
- \_\_\_\_\_ 3. All decals properly located and readable.
- \_\_\_\_\_ 4. Other adjustments, "level operation", "drawbar height", etc.
- \_\_\_\_\_ 5. Proper tongue weight after all options are mounted. Adjustments made if required.
- \_\_\_\_\_ 6. Overall condition. Touch-up paint any scratches. Clean and polish
- \_\_\_\_\_ 7. Operator's manual.

Seller Information	
Date set-up	_____
Signature	_____
Dealer name	_____
Address	_____
City, state, zip	_____
Phone	_____

Review the operator's manual with the customer. Explain the following:

- \_\_\_\_\_ 1. Safe operation and service
- \_\_\_\_\_ 2. Correct machine installation and operation.
- \_\_\_\_\_ 3. Correct and periodic lubrication and maintenance.
- \_\_\_\_\_ 4. Daily and periodic inspection.
- \_\_\_\_\_ 5. Troubleshooting.
- \_\_\_\_\_ 6. Storing machine.
- \_\_\_\_\_ 7. Heartland AG Systems parts and service
- \_\_\_\_\_ 8. Have the customer write the machine model and serial number in the space provided in the manual introduction
- \_\_\_\_\_ 9. Give the customer the operator's manual and encourage the customer to read the manual carefully.

Customer Information	
Date delivered	_____
Customer name	_____
Customer address	_____
Signature	_____
Model number	_____
Serial number	_____



# CONTENTS

Dealer Checklist (Fill out and return)	26
Table of Contents	27
To the Owner	27A
Warranty	27B
Introduction	28 & 29
Safety	30 & 31
Decals	32 & 33
Assembly Procedure	34 & 35
Coulters and Disk Sealer Mounting Info	36
Toolbar Illustration	37
Toolbar Parts List	38
Primary & Secondary Wing Assembly	39
Wings Parts List	40 to 46
Hubs Illustration	47
—	47A
Hydraulic Plumbing Schematics	48
Hydraulic Cylinders And Parts	48A
Stagger Bracket Assembly	49
Field Hitch Assembly	50 & 51
Spring Bundle Assembly (Yr 2000 to Present)	52 & 53

## **TO THE OWNER**

This manual has been prepared to assist you in the assembly of your new equipment and contains information pertaining to safety, operating information and all its parts.

Our personnel in sales and service are always available to assist you when questions arise concerning the assembly and operation of your machine.

When ordering parts, please refer to part numbers and descriptions as listed throughout this book. All parts and whole goods will be shipped FOB Hutchinson, Minnesota. Always check merchandise immediately upon receipt for damage or shortage. Note any discrepancy on the carrier's bill of lading and notify Heartland AG Systems within 10 days.

Any returned goods will be subject to a 20 percent restocking charge.

Heartland AG Systems reserves the right to make improvements and modifications on equipment without obligation to change previously built equipment. All prices are subject to change without notice.

## **Warranty Policies and Terms**

The Heartland Agriculture, LLC warranty is a limited warranty that is provided to the retail purchaser in return for consideration paid as part of the purchase price for a product. The selling dealer must review the warranty coverage with the retail purchaser and obtain a signature on the Operators Manual for warranty verification.

The warranty described here is for Heartland Agriculture, LLC doing business as Heartland AG Systems and its product line Heartland AG Systems Equipment sold and registered in the United States and Canada and normally operated in the United States and Canada.

## **Warranty Period**

The warranty period for all coverage begins at the time that any person, dealer or agent first places the unit into service. At the latest, a unit is placed into service when purchased or delivered to a purchaser.

## **What's Covered**

If a defect in material or workmanship is found in a unit and reported during the Warranty period, Heartland AG Systems will pay parts and labor costs to repair the defects if the services are performed by an authorized Heartland AG Systems dealer. If parts are needed during the repair, Heartland AG Systems will, at its option, use genuine Heartland AG Systems, or remanufactured parts.

Heartland AG Systems provides no warranty, express or implied, for a component or other item that is separately warranted to the purchaser by its manufacturer, such as tires. Check with your local dealer for these details.

## **Exclusive Remedy**

The remedy of repairing a defect in material or workmanship at a Heartland AG Systems dealership under the terms of this warranty is the purchaser's exclusive remedy and is in lieu of any other remedy otherwise available.

## **No Modification or Extension of Warranty**

The Heartland AG Systems Warranty is limited to the written terms in the warranty statement. Heartland AG Systems does not authorize any person, dealer, or agent to change or extend the terms of this warranty in any manner. Any assistance to the purchaser in the repair or operation of any Heartland AG Systems product outside the terms or limitations or exclusions of this warranty will not constitute a waiver of the terms, limitations or exclusions of this warranty, nor will such assistance extend or re-establish the warranty.

The warranty is void if the unit is used in an application for which it is not designed or the unit has been scrapped, salvaged, stolen, junked or totaled.

### **Limitations and Exclusions**

The Heartland AG Systems warranty gives you specific legal rights and you may also have other rights, which vary from state to state. This section contains the entire Heartland AG Systems warranty. Heartland AG Systems makes no other representations or warranties, expressed or implied, and specifically excludes the implied warranties of merchantability and fitness for particular purpose. Heartland AG Systems will not be liable for incidental or consequential damages resulting from a breach of the written warranty or any implied warranty.

- These limitations and exclusions may not be allowed by some states or provinces and shall not apply to the extent such limitations or exclusions are not allowed by applicable state/provincial law.

### **Owner's Responsibility**

The Heartland AG Systems Warranty remains in effect during the warranty period if the owner performs the required maintenance at the recommended intervals outlined in the product's operator's manual and the unit is operated within its rated capacity. Genuine Heartland AG Systems service parts or Heartland AG Systems approved service parts that meet Heartland AG Systems specifications must be used for maintenance and repairs.

### **What Is Not Covered**

- Replacement of non-defective wear items expected to be replaced during the warranty period, including, but not limited to: lights, fuses, belts, drive sprockets and chains, hose, soil engaging tools, spray tips, fertilizer deflectors, spinner blades and accessories or items replaced due to customer demand.
- Normal maintenance parts and service, including, but not limited to lubrication, coolants, and filters.
- All travel costs associated with hauling or towing a customer's machine to and from a repair center related to any warranty repair unless specifically covered by a program or policy.
- Repairs arising from any unauthorized modification to the product.
- Repairs arising from service performed by agents not approved by Heartland AG Systems.
- Repairs arising from storage deterioration, failure to maintain the equipment, improper use of the equipment, collision or other accident, vandalism, or other casualty, or operation beyond the rated capacity or specifications.
- Repairs arising from abuse or neglect including, but not limited to operation without adequate lubricants or coolant, over-speeding, contaminated fluids, improper storage, starting, warm-up, or shutdown practices.
- Failure of the machine, its implements or attachments caused by improper field application or overloading.
- Premiums charged for over-time labor costs.
- Economic loss, including lost profits, crop loss, equipment rental or other expenses.
- Cost associated with cleaning of machine in preparation for service.
- Loss or damage during shipment.



- Cost of initial setup or installation of any optional equipment or attachments to a unit.
- Items used for repairs include, but are not limited to: solvents, cleaners, anti-seize lubricants, oil-dry, shop towels, shop supplies, special tools, etc.
- Included, but not limited to are checkups, adjustments, and shimming, tune-ups, spread pattern checks, etc.
- Unauthorized modification or field fixes.
- All costs of special tools or shop supplies incurred with repairs.
- Claims for stolen equipment or parts.
- Claims for replacing a complete assembly when the repair is less than the replacement.
- Claims involving the inspection or reconditioning of units.
- Shop comebacks: any duplicate, repeat, or comeback repair resulting from improper diagnosis, testing, or poor service work.
- Cost of removing or installing Non-Heartland AG Systems optional equipment or attachments.

#### **Base Warranty Coverage**

- Base Warranty is the factory warranty provided to the customer at no additional cost for a specific period covering the complete machine.

• Liquid Applicators, except tires	1 Year
• Spreaders and Tenders, except tires	1 Year
• Nh3 Wagons, except tires	1 Year
• Bumper Hitches	1 Year
• Disc Covers	1 Year
• Parts	90 Days
• Tandem Wagons (except tires and main frame)	1 year
o Tandem Wagon main frame	5 Years
• Nitromaster Toolbars shall carry the following pro-rated warranty:	
o Year one, all components except tires	100%
o Year two, center section and wings	80%
o Year three, center section and wings	50%
o Year four, center section and wings	25%
o Year five, center section and wings	10%

### **Tires**

Tires installed on all Heartland AG Systems Equipment are warranted and serviced by their manufacturer's service outlets. Some manufacturers have separate service outlets for off road agricultural and construction equipment. Service is available by contacting the tire manufacturer's local representative.

### **Warranty Registration**

All machinery items, which are invoiced by Heartland AG Systems on separate receivables, must be registered for warranty. The warranty period for all coverage begins at the time that any person, dealer, or agent first places the unit into service. New machine warranty coverage begins when the machine is registered. Registration is accomplished when a properly completed Warranty Registration is received and processed by Heartland AG Systems.

### **Operator's Manual/Warranty Receipt Verification**

The Heartland AG Systems New Equipment Limited Warranty for Agricultural Equipment statement must be filled out and signed by the customer indicating receipt and an understanding of the operator's manual and the warranty statement,

- The original form must be mailed to the address on the form.
- Make one copy for the Dealer. This copy must be retained by your dealership the same as any other legal document.
- Make a second copy for the customer.

### **Heartland AG Systems Responsibility**

If a defect in material or workmanship is found in a product during its warranty period, Heartland AG Systems will pay parts and labor costs to repair the defect when the service is performed by an authorized Heartland AG Systems dealer or agent. If parts are needed during the repair, Heartland AG Systems will, at its option, use genuine Heartland AG Systems new or remanufactured parts. These responsibilities include, but are not limited to:

- Costs for repairs that are the result of defects in material and workmanship
- Payment to dealers per policy in a timely manner
- Service information to dealers
- Identify product deficiencies and take corrective action by field campaigns
- Make determination of premature wear
- Provide unit that is free of defects in material & workmanship

### **Dealer Responsibility**

Heartland AG Systems dealers are responsible for providing prompt, courteous, and willing service to all Heartland AG Systems equipment owners. These responsibilities include but are not limited to:

- Equipment set-up and pre-delivery
- Sell the right product for the intended application
- Inspect the unit and initiate recovery action on any shipping damage and or shortages
- Instruct customer on proper use, maintenance, and safety features of machine
- Advise and explain warranty coverage to customer
- Diagnose the problem, repair the unit, and submit claims in accordance with the terms and conditions of the warranty claim policies
- Take responsibility for saying "NO" to customers on non-warranty failures
- Apply failure analysis to questionable repairs
- Complete product update campaigns
- Have properly trained technicians and adequate tools for the job
- Retain proper documentation of failure repaired

### **Owners Responsibility**

The Heartland AG Systems warranty remains in effect during the stated warranty period if the owner performs the required maintenance at the recommended times as outlined in the products operator's manual. Genuine Heartland AG Systems or Heartland AG Systems approved service parts must be used for maintenance. Additionally, the owner will pay for all transportation or travel expenses related to any warranty repair.

These responsibilities include, but are not limited to:

- Perform maintenance as indicated in the operator's manual
- Use the unit in the correct application (non-abusive)
- Notify dealer of failures and have the machine available for repair in a timely manner
- Training operators
- Travel cost, towing charges, and service calls
- Normal wear items
- Machine damage (accidental)
- Adjustments for application
- Machine inspection (daily walk-around)

### **Warranty Eligibility**

The dealer is responsible to determine that any Heartland AG Systems equipment is covered by Heartland AG Systems warranty before performing a repair and that the repair is a warrantable failure. Any dealer who is in doubt of the equipment's warranty eligibility may call Heartland AG Systems for verification.

### **Warranty Repairs Made by the Customer**

If a Heartland AG Systems dealer determines that the customer is capable, and the customer requests permission to perform select(warranty)repairs on his product, the Heartland AG Systems dealer is authorized to grant this customer request. The servicing dealer should provide the parts to the customer upon request, and to assure that customer is properly instructed on how to perform the repairs correctly.

The servicing dealer is responsible and accountable for claim accuracy and validity; specifically, in areas such as the parts replaced date, and assurances that the parts are installed as instructed by Heartland AG Systems. The comments section of the claim should clearly state that the customer installed the parts. The claim reimbursement will be for parts and applicable handling only. No labor is allowed! All replacement parts must be held for possible recall.

### **Parts Shortages on Whole-Goods**

Dealers may submit a claim for parts shortages discovered during pre-delivery or during final assembly at the dealer's location. All claims for shortages must be submitted 5 days from the original ship date from the plant and before the warranty start date.

### **Warranty Reimbursement Policies**

Heartland AG Systems provides for warranty reimbursement due to defects in material or workmanship only. Warranty does not include restoring any machine or portion thereof, which has accumulated hours of operation, to factory new condition. This includes customer owned and used equipment.

Except for only a few items not available through Heartland AG Systems, all Heartland AG Systems manufactured equipment warranty repairs must be performed using only Heartland AG Systems genuine new or remanufactured parts and accessories. Installation of non-Heartland AG Systems parts does not qualify for warranty reimbursement and can void the machine's warranty.

### **Parts**

It is fully expected that all claims be filed using part numbers from the applicable Heartland AG Systems equipment parts book whenever such part number exists. Heartland AG Systems shall reimburse the dealer at the dealer net price (cost) in effect on the parts replaced date.

### **Labor**

Heartland AG Systems shall reimburse the dealer at 80% of the dealer's posted retail shop labor rate. The retail shop labor rate shall be subject to verification by Heartland AG Systems from copies of actual dealer invoices to customers.

### **Outside Charges**

Specialized repair such as that done by a machine shop will be accepted as part of a warranty claim at actual cost. Explain the parts used and the service work performed in the description section of the claim and retain a copy of the receipt. Retain a copy of the invoice with the shop work order to support the claim. Outside repairs that exceed the cost of the same repair, if performed by the dealer, will be reimbursed at a lower rate.

### **Freight**



Heartland AG Systems will pay the freight charges when a warranty recalled part is to be returned to Heartland AG Systems.

### **Travel**

Travel will only be reimbursed when authorized by a field campaign.

### **Repairing or Replacing Parts and Components**

When performing a warranty repair, a complete part or component should not be replaced under warranty if the repair can be accomplished at a lower cost. If the total cost of the repair including the cost of parts, labor, and/or outside labor or materials is less than 75% of the cost of the parts, the part must be repaired.

### **Filters and Lubricants**

Replacement of lubricants and filters do not qualify for warranty reimbursement unless damage caused by a defect in material or workmanship results in contamination or sudden loss of fluid. Lack of maintenance, operator misuse, or neglect will not qualify for warranty reimbursement.

## **Claim Form Guidelines**

### **Claims Must Have**

1. Product identification number (PIN) or serial number. All characters of the PIN must be used on the warranty claim.
  - Claims for parts warranty must use the word "PARTS" for the PIN. An invoice that shows date of sale or date of installation must be supplied for all parts claims.
2. Model Number
3. Date of failure – Claims must be submitted within 30 days or repair.
4. Date of repair
5. Warranty start date. Date the unit warranty starts or date the parts were sold for parts warranty.
6. Description of the problem. Describe all problems pertinent to the claim.

Comments should be as precise as possible, attach a separate sheet if necessary, to describe the problem.
7. Description of the work performed. List each significant action of the repair.
8. Itemize labor. Provide a breakdown of labor for each significant repair action in the "Describe Work Performed" column.
9. Shop order numbers. The shop order number field is used for recording your shop work order number that is related to the claim. The shop order number field can also be used to record the parts invoice number when claiming a parts warranty.
10. Customer information. Customer information includes the customer name, city, state, county, and postal code. It must match the warranty registration.
11. Warranty claim total. The total of all reimbursement costs requested.
12. Dealer signature and date. All claims must be signed and dated by the distributor to be validated.

## INTRODUCTION

Read this manual carefully. It will instruct you on how to operate and service your machine safely and correctly. Failure to do so could result in personal injury and/or equipment damage.

Right hand and left hand sides of the machine are determined by (standing behind the machine) facing in the direction the machine will travel when going forward.

### SAFETY INFORMATION

**DANGER:** This message denotes the most serious specific potential hazard. This sign will have the color combination of RED and WHITE.

**WARNING:** This message denotes a specific potential hazard.

**CAUTION:** This message denotes a reminder of safety practices.

 **NOTE:** Indicates a special point of information.

\*\*\*\*\* Carefully read and follow all safety signs.  
\*\*\*\*\* Reinstall safety signs that are damaged or missing.

Warranty is provided for customers who operate and maintain their equipment as described in this manual. Warranty registration is accomplished by the dealer completing and forwarding the WARRANTY REGISTRATION FORM along with a copy of the dealer's invoice to Heartland Ag Systems. It is in your best interest to insure that this has been done.

WARRANTY does not cover the following.

- 1. Cleaning, transporting, mailing and service call charges.
- 2. Depreciation or damage caused by normal wear, accidents, improper protection or improper use.

\*\*\*\*\* See complete WARRANTY for details

Record your machine model and serial number in the space provided. Your dealer needs this information to give you prompt, efficient service when you order parts.

MODEL NUMBER \_\_\_\_\_

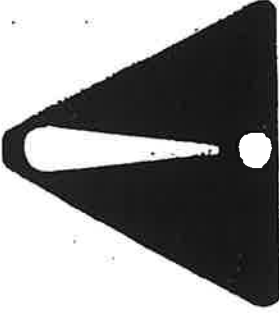
SERIAL NUMBER \_\_\_\_\_

DATE PURCHASED \_\_\_\_\_

\*\*\*\*\* SAFETY INFORMATION CONTINUED \*\*\*\*\*

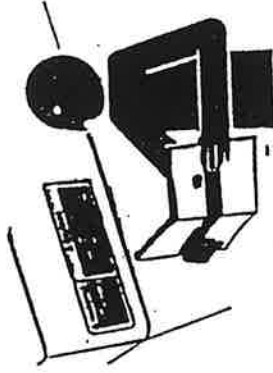
RECOGNIZE SAFETY INFORMATION

This is the safety-alert symbol. When you see this symbol on your machine or in this manual, be alert to the potential for personal injury. Follow recommended precautions and safe operating practices.



FOLLOW SAFETY INSTRUCTIONS

Carefully read all safety messages in this manual and on your machine safety signs. Keep safety signs in good condition. Replace missing or damaged safety signs.

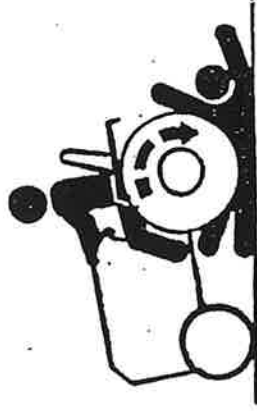


Learn how to operate the machine and how to use controls properly. Do not let anyone operate without instructions.

Keep your machine in proper working condition. Unauthorized modification to the machine may impair the function and/or safety and affect machine life.

PROTECT CHILDREN AND BYSTANDERS

Before you back, **LOOK CAREFULLY** behind for children. Clear area of children, pets and bystanders.



TRANSPORT SAFETY

- \* Always use safety chains during road transportation.
- \* Check wheel nuts daily.
- \* Use hydraulic cylinder transport lock-up during road transportation.
- \* Maximum recommended road speed is 25 mph.
- \* Clear machine of personnel and obstructions.



# DECALS

PART # 699107



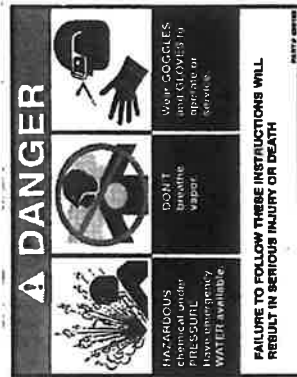
PART # 9744503



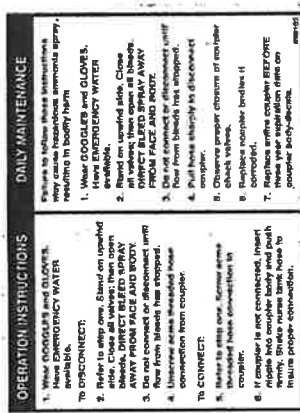
PART #699105



PART #699102



PART #699103



PART# 699100



PART #699101



PART #699104



PART #USA



PART # 699110

# NITROMASTER SERIES

PART #8500

8500

## 8500 NITROMASTER TOOLBAR ASSEMBLY PROCEDURE

Your 8500 Nitromaster Toolbar is shipped with small parts and hardware packed in boxes marked for the different sections of the toolbar. If you find any items missing, please contact Ag Systems, Inc. immediately.

Note: In this manual “left hand” and “right hand” are determined by standing behind the toolbar looking in the direction of travel.

- Step 1     Select a smooth level surface for the assembly of your Nitromaster Toolbar.
- Step 2     Refer to the illustration for the center section. Place the center section (item 1) upon (4) steel saw horses, one at each corner of the frame. Do not place the hinge plates on the saw horses.
- Step 3     Install the bogie arms (item 48) left hand and (item 48A) right hand to the center section with the hinge pins (item 49) and appropriate hardware.
- Step 4     Install the walking wheel assembly (item 61 & 62) to the bogie arms with the pivot pins (item 66) and appropriate hardware.
- Step 5     Install the torsion tube assembly (item 32). Slide the end bearing assembly (item 36) on to each end of the torsion tube assembly. Mount the end bearings to the support plates with the appropriate hardware. Mount the center bearings on the support plates and tighten snug only. Check that the torsion tube can rotate freely. Adjust the bearing mounting if needed and tighten the hardware securely.
- Step 6     Install the link arms (item 35) so that the bent bracket is on the top side and the open end is up. (this later supports the travel lock (item 58) for storage.) Assemble with the cylinder pins (item 56).
- Step 7     Mount the poles (item 2) left hand and (item 3) right hand to the toolbar with the pivot pin (item 29) and appropriate hardware. Assemble the hitch mount (item 5) to the poles with the grade 8 bolts (item 13) and appropriate hardware.
- Step 8     Install the pole pivot link (item 33) between the poles and the torsion tube assembly with the appropriate hardware.
- Step 9     Place the center section wheel lift cylinders (item 55) size 4 x 12 into position with the body towards the frame and the shaft on the bogie arm. Mount with the cylinder pins supplied.
- Step 10    Mount the wheels and tires on the hubs. The toolbar parts list indicates the tires available .
- Step 11    Mount the jack (item 4). Mount the hitch (see items 6 to 11) with the hitch pin (item 12). When item 6 is not used, it is stored on the peg provided on the right hand pole. If the adapter clevis (item 9) is used, make sure the hitch is installed with the clevis towards the bottom (as illustrated).
- Step 12    You may mount the miscellaneous items (item 15 to 28) on the pole at this time, or as convenient.

### Mounting the Primary and Secondary Wings

- Step 13    Refer to the illustration for the wings. Place the primary wings (item 1) left hand and (item 1) right hand on steel saw horses and attach to the center section with the hinge pin (item 3). Secure the pin with the bolt (item 9) and all parts (item 7 to 11). Position the spacer (item 4) and assemble the nut (item 5) and install the cotter pin (item 6).
- Step 14    Assemble the wheel pivot arm (item 21) left hand and (item 21) right hand to the wing with the pivot pin (item 18) and appropriate hardware.

- Step 15 Place the wing wheel lift cylinder (item 15) size 3 ¼ x 12 in position with the body towards the frame and the shaft on the pivot arm. Assemble with the cylinder pins supplied. If your toolbar is not equipped with secondary wings, item 27 and beyond are not required. Skip steps 16 to 19 and continue at step 20.
- Step 16 Place the secondary wings (item 27) left hand and (item 27) right hand on suitable supports and attach to the primary wings with the hinge pin (item 39) and cotter pin (item 40).
- Step 17 If so equipped, assemble the shank mounting stubs (item 46) to the secondary wings with the appropriate hardware.
- Step 18 Assemble the wheel pivot arm (item 21) left hand and (item 21) right hand to the wing with the pivot pin (item 18) and appropriate hardware.
- Step 19 Place the wing wheel lift cylinder (item 29) size 3 1/2 x 12 in position with the body towards the frame and the shaft on the pivot arm. Assemble with the cylinder pins supplied.
- Step 20 Mount the wheels and tires on the hubs for both the primary and secondary wings. The toolbar parts list indicates which tires are available for your toolbar.

### **Mount the Wing Fold Cylinders**

- Step 21 Refer to the illustration for the center section. Mount the hydraulic cylinders (item 43) size 4 x 36, on the toolbar with the body on the center section and the shaft towards the wing. DO NOT attach the shaft at this time.
- Step 22 Refer to the illustration for the primary and secondary wings. Mount the hydraulic cylinders (item 31) with the body on the primary wing and the shaft towards the secondary wing. DO NOT attach the shaft at this time.
- Step 23 Generously grease all hinge and pivot points. Do not overlook the pole mounting points and the torsion tube bearing assemblies.

### **Assemble the Hydraulic System and Purge**

- Step 24 Refer to the "Hydraulic Plumbing Schematic" illustration applicable to your machine. Assemble the fittings to all the cylinders. Note that the fittings on the butt end of the CENTER WHEEL CYLINDERS must be on top of the cylinder. The fittings at the shaft end must be on the side of the cylinder.
- Step 25 Assemble the hydraulic hoses per the "hydraulic plumbing" schematic illustration. Secure the hoses at the primary wing pivot points with the clamp plate (item 12) and appropriate hardware.
- Step 26 Purge the air from the hydraulic system.
- (A) Pressurize the wheel lift hydraulic circuit. Fully extend the wheel cylinders and remove the assembly supports. With the wheel cylinders fully extended circulate the oil for approximately two minutes.
  - (B) Partially retract the cylinders. All wheels should lift simultaneously. Stop part way through the stroke and watch for any wheels sagging. This would indicate there is air in the system.
  - (C) To purge the air from the system, extend the cylinders and circulate the oil for approximately two minutes. Repeat step "B" until the system operates satisfactorily.
  - (D) Pressurize the wing fold cylinders. CAUTION: As the cylinder shafts are extending, be careful that the shafts do not get scratched or damaged in any way. With the cylinders fully extended circulate the oil for approximately two minutes. Retract the cylinders and repeat the above procedure. This should eliminate all air from the hydraulic systems.
- Step 27 Refer to the illustration for the toolbar center section. Assemble the shaft end of the hydraulic cylinders (item 43) to the primary wings with the clevis pin (item 45) and appropriate hardware.

## 85KASINST

- Step 28 Refer to the illustration for the wings. Assemble the pivot link (item 37) to the cylinders (item 31) with the clevis pin (item 33) and appropriate hardware. Assemble the pivot link to the secondary wing with the cylinder pins supplied (item 38).
- Step 29 Mount the wing hook assembly (item 42) on the primary wing and the hook retainer (item 41) on the secondary wing with the u-bolts (item 43) and appropriate hardware. These items should be positioned equal distance from each side of the pivot pin. The location is not critical, but make sure they do not interfere with the shank mount locations.
- Step 30 Refer to the shank location illustrations. Determine which illustration applies to your toolbar. Mount the shanks, knives and (if used) coulters and disk sealers per the illustration using the stagger brackets where indicated.
- Step 31 Mount the field hitch if so equipped. Refer to the field hitch illustration for appropriate hardware.
- Step 32 **NH3 APPLICATION:** Refer to the illustration titled NH3 Stands and Brackets. Mount the stands and brackets supplied in an appropriate location. Attach the chemical hoses and mount the application components supplied. Refer to pages 47 and 48 of this manual. Install the break-away coupling device per manufacturers instructions. See page 48A of this manual for basic operation and maintenance information.
- Step 33 Secure all hydraulic and chemical hoses in a safe manner. Make sure all hardware is securely tightened. Attach the information and warning decals supplied in the locations indicated.
- Step 34 Fold the wings and raise the machine to the full transport height. Position the transport locks (item 58) on the extended shafts of the wheel lift cylinders on the center section and secure the transport locks with the pins (item 59 & item 60). Release the hydraulic pressure and lower the machine so that it is supported by the transport locks.
- CAUTION: BEFORE MOVING THE MACHINE.** Read the operating instruction and warnings on the page following these assembly instructions.
- Step 32 Your 8500 Nitromaster Toolbar is now fully assembled and **READY TO GO TO WORK.**

## OPERATING INSTRUCTIONS

### USE OF DEPTH CONTROL SPACERS

**WARNING:**

Failure to use, or incorrect use of the depth control spacers on the center section lift cylinders will result in voiding the equipment warranty.

Correct use of the lift cylinder depth control spacers is needed to maximize equipment performance. Incorrect use will cause the equipment to operate at uneven depths and even result in equipment damage.

To gain maximum performance from your equipment, the depth control spacers that have been provided with your equipment must be used when you place your equipment in the field. It is imperative that an equal number of spacers of equal size are placed on each of the center section lift cylinders before placing your equipment in service. Failure to do so may cause damage and result in voiding the equipment warranty. Use of stroke control spacers (depth control spacers) on the wing lift cylinders is not recommended, or necessary when spacers are properly placed on the center section lift cylinders.

To set the equipment to the proper depth for your field conditions, place the toolbar in the field to the desired tillage depth. Using the cylinder spacers provided with your equipment, place an equal number of spacers of equal size on both of the center section lift cylinders. It is very important that both center section lift cylinders are functioning with the same size of cylinder spacers before you continue to operate your equipment. If you require deeper depth, lift the equipment, remove and replace a spacer with a thinner spacer. If you require a shallower depth, remove a spacer and replace it with a thicker spacer. Once the equipment has been set to your desired tillage depth by using the correct depth control spacers you will not need to change them.

### USE OF TRANSPORT LOCK

**WARNING:**

Failure to use the transport locks may result in equipment damage or personal injury. Equipment transport locks are provided for safety when transporting equipment over the road and should remain with the equipment. The transport locks also prevent the equipment from settling or dropping when the equipment is disconnected from the hydraulic power source. When you are finished with a field and you find it necessary to move the equipment to a new location, simply raise the toolbar out of the ground and place the transport locks provided on to the lift cylinder. You do not need to remove the spacers for transport. Slide the spacers up on the cylinder rod far enough so that the transport lock will pass below and around the spacers. Then secure the transport locks with the pins provided. When you are finished with the equipment and it is to be parked, it is imperative to place the transport locks around the lift cylinder rods to prevent the equipment from settling.

When operating your equipment in the field the lift wheels must be in contact with the ground at all times. Operating the equipment with the lift wheels retracted until the wheels are completely off the ground will be considered misuse of the equipment and may result in voiding the equipment warranty.

## COULTER and DISK SEALER MOUNTING INFO

With the toolbar parked on hard level ground fold out the wings and lower the toolbar so that it is supported on the knives. The toolbar should be level. If necessary, unhitch the toolbar and adjust the jack as required.

**SETTING THE COULTER DEPTH:** Assuming a working depth for your knife of 8 inches (dim A), adjust one coulters blade to a distance of 4 inches (dim B) above the knife point. This will run the blade 4 inches in the ground.

Measure the distance that the 1 x 3 bar extends above the mounting bracket (dim C). Adjust all coulters to this dimension.

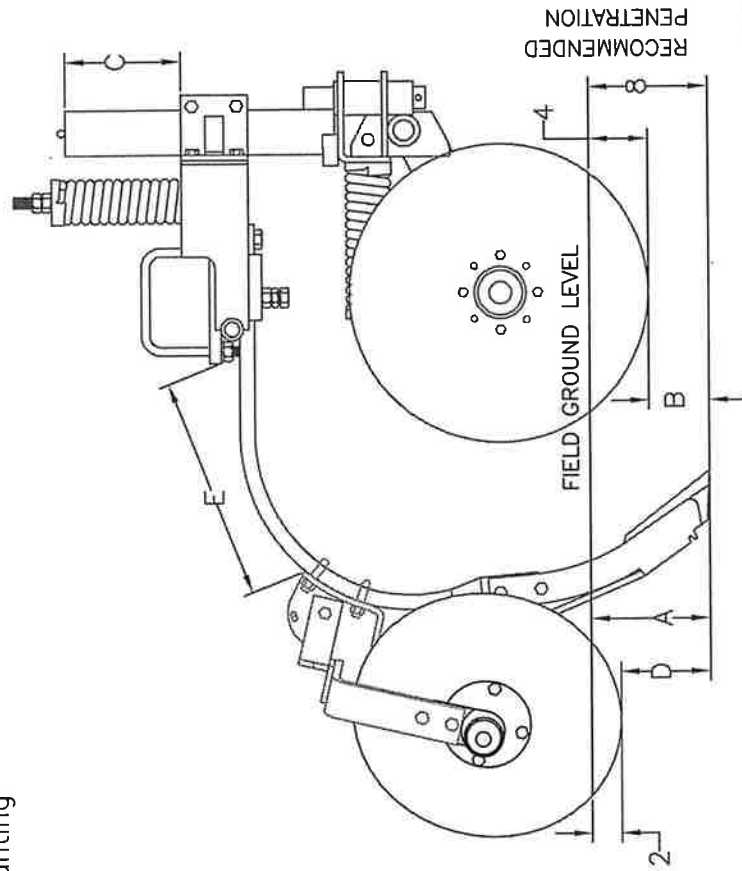
**SETTING THE DISK SEALER DEPTH:**

When the working depth is 8 inches, position one disk sealer assembly on the shank so that the blades are 6 inches (dim D) above the knife point. Measure the distance from the spring bundle bracket to the disk sealer bracket (dim E). Adjust all disk sealers to this dimension. This will run the disk sealers 2 inches in the ground.

**OTHER WORKING DEPTH:** modify these dimensions in relation to your working depth. If your knife is 10 inches in the ground (dim A), the dimension from the coulters blade to the knife point (dim B) would be 6 inches. The distance to the disk sealer (dim D) would be 8 inches. This "knife to blade" relationship would apply regardless of what combination of "AgSystems" bracket, shank, knife, coulters and disk sealer is used.

**NOTE::**

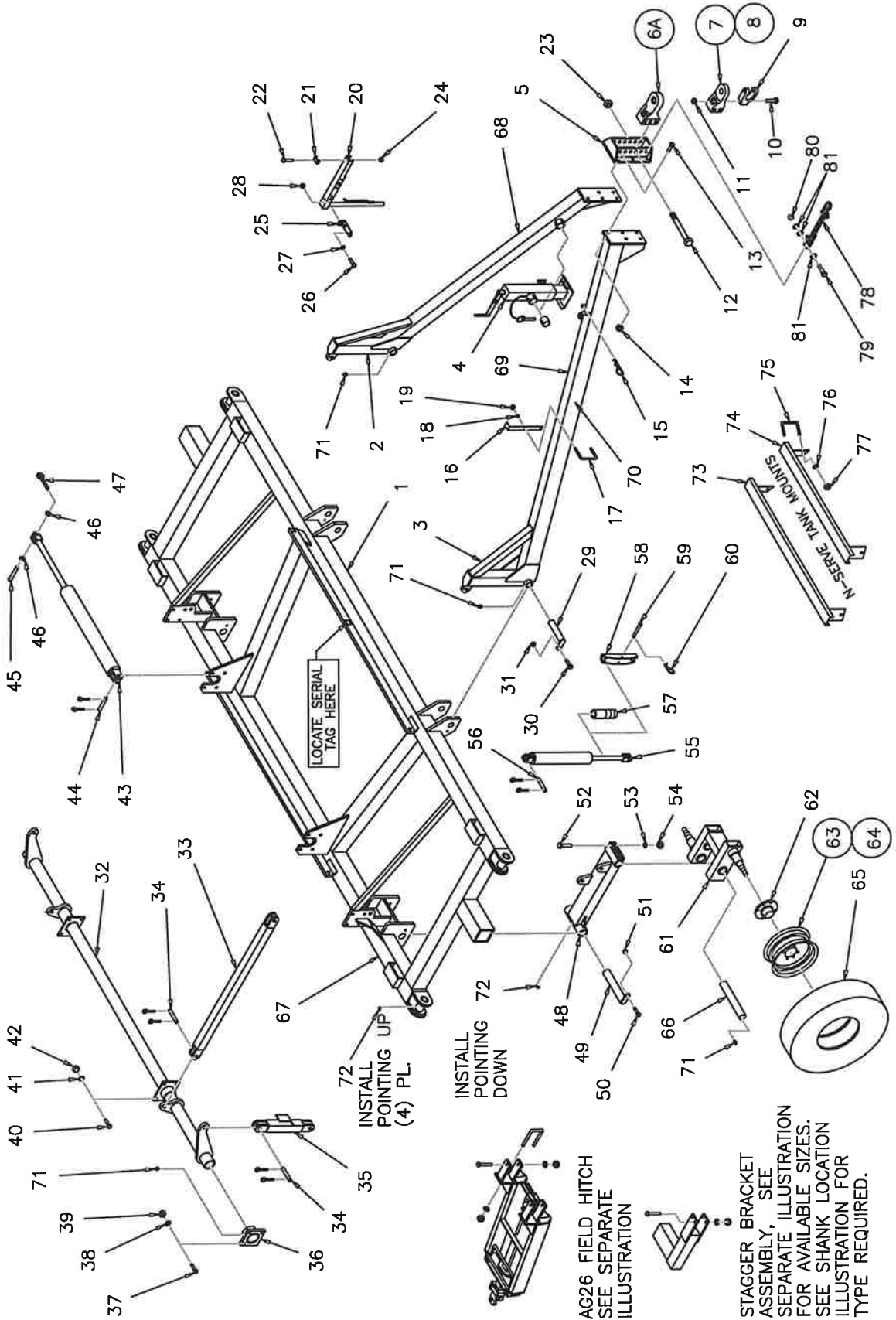
It is important that the coulters and disk sealer blades are not set excessively deep. The coulters blades should be set just deep enough to cut the surface trash. Coulters set too deep will cause the toolbar to float on the coulters and not allow your gauge wheels to contact the ground. Intermittant contact with the ground will cause excessive wear on the hydraulic cylinder clevises and the mounting lugs. Coulters running too deep could also form a trench that will not seal properly and allow excessive NH3 to escape into the atmosphere (smoking).



AG SYSTEMS INC. HUTCHINSON MN. 55350	
DRAWN BY J.N.	NAME COULTER/SEALER ADJUSTMENT
FIRST USED	DATE 07/01/06
REV.	DATE
PART NUMBER SPGBDLSHK	



8500 SERIES TOOLBAR  
19' CENTER SECTION



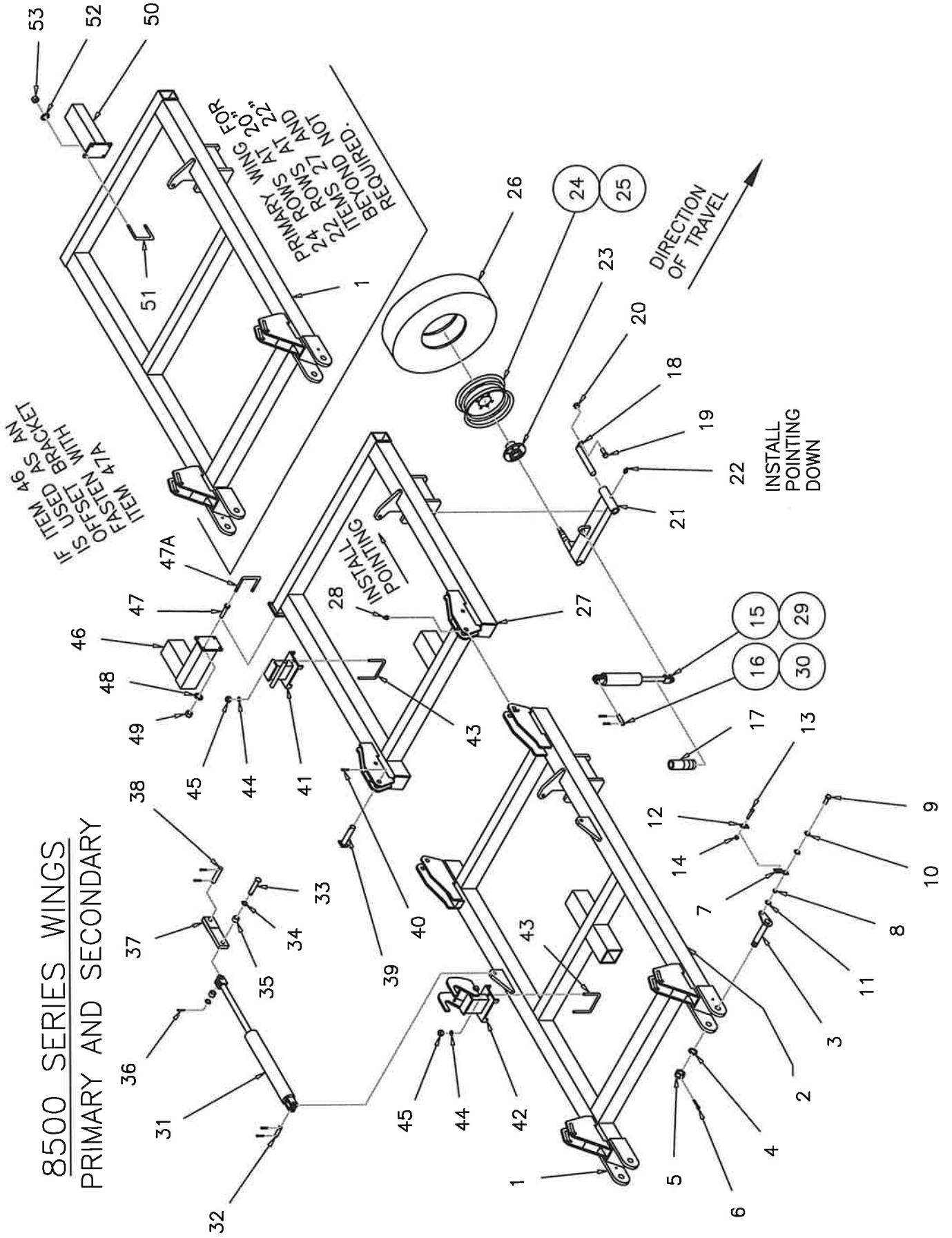


# 8500 SERIES TOOLBAR PARTS LIST

## 19' CENTER SECTION

ITEM	PART NO.	DESCRIPTION	QTY.	ITEM	PART NO.	DESCRIPTION	QTY.
1	47004362	CENTER SECTION	1	42	18418400	HEX NUT, 3/4-10NC.	8
2	47004411	POLE, LEFT HAND	1	43	47300095	HYD. CYLINDER, CENTER (4 X 36)	4
3	47004412	POLE, RIGHT HAND	1	44	47003514	CYLINDER PIN KIT (1 X 4) (2 PINS)	2
4	70924	JACK COMPLETE, (FINISH PAINTED)	1	45	18549054	CLEVIS PIN, (1 X 5)	4
				46	18852200	FLATWASHER 1" I.D.	8
				47	18560826	COTTER PIN (3/16 X 1 1/2)	4
				48	47004424	BOGGIE ARM, L.H.	1
					47004425	BOGGIE ARM, R.H.	1
5	47008355	HITCH MOUNT	1	49	47004440	HINGE PIN, BOGGIE ARM	2
6A	PP53XLA	PERFECT HITCH, (CATEGORY 5)	1	50	18057430	BOLT, 1/2-13NC. X 2	2
				51	18497400	NUT, FLANGED 1/2-13NC.	2
7	Pi-301V3C	PERFECT HITCH ASSY. (1 1/2 D'PIN)	1	52	18058436	BOLT, 3/4-10NC. X 3	8
		INCLUDES ITEMS 8 TO 11		53	18891800	LOCKWASHER, 3/4	8
8	PPi-301V3	PERFECT HITCH, BASE HITCH	1	54	18418400	HEX. NUT, 3/4-10NC.	8
9	PPi-208VR	PERFECT HITCH, CLEVIS (1 1/4 D'PIN)	1	55	47005459	HYD. CYLINDER, CENTER WHEELS	2
		(5400 LBS.) VERTICAL CAPACITY				REPHASING (4 X 12) 1 3/8 SHAFT	
		BOLT, 3/4-10NC. X 5, GR. 8	1	56	47003514	CYLINDER PIN KIT (1 X 4) (2 PINS)	2
		LOCKNUT, 3/4-10NC. GR. 8	1	57	47005455	SET, DEPTH CONTROLS, 1 3/8 SHAFT	2
		BOLT, 1"-8NC. X 8, GR. 8	3	58	47010150	TRAVEL LOCK- 1 3/8 SHAFT	2
		BOLT, 3/4-10NC. X 2 1/2 GR. 8	8	59	18541254	CLEVIS PIN, TRANSPORT LOCK	2
		LOCKNUT, 3/4-10NC. GR. 8	10	60	18590916	HAIRPIN BRIDGE, TRANSPORT LOCK	2
		HAIRPIN BRIDGE, (#8) 3/16 DIA.	1		47994429	WALKING WHEEL ASSEMBLY INCLUDES ITEMS 61 & 62	
		BRACKET, DEPTH CONTROLS	2	61	47004429	BOGGIE FRAME	2
		U-BOLT, 3/8-16NC	2	62	47009712	HUB COMPLETE, FOR PARTS SEE SEPARATE ILLUSTRATION	4
		LOCKWASHER, 3/8	4			WHEEL RIM, 22.5 X 8.25	
		HEX. NUT, 3/8-16NC.	4			WHEEL RIM, 14C X 16.1	
		PIVOTING HOSE BRACKET	1	63	47006023	WHEEL RIM, 22.5 X 8.25	4
		HOSE CLAMP	4	64	20120012	VALVE STEM	4
		BOLT, 3/8-16NC. X 2 1/4	2	65	179906	TIRE, 11R X 22.5 TRANSPORT	4
		HEX NUT, 1"-8NC.	6		32297	TIRE, 16.5 X 16.1, 10 PLY	4
		LOCKNUT "NYLOK" 3/8-16NC.	2	66	47004437	PIVOT PIN, BOGGIE FRAME	2
		GAUGE BRACKET	1	67	699107	DECAL, AG-SYSTEMS INC	2
		BOLT, 3/8-16NC. X 1 1/4	1	68	699104	DECAL, CAREFUL-CLEAR MACHINE	1
		FLAT WASHER, 3/8	1	69	699100	DECAL, WARNING-CLEAR TONGUE	1
		FLANGE NUT, 3/8-16NC.	1	70		DECAL, NITROMASTER 8500	2
		PIVOT PIN, POLE	2	71	18901805	GREASE ZERK, STRAIGHT (INSTALLED)	10
		BOLT, 1/2-13NC. X 2	2	72	18901806	GREASE ZERK, 90 DEG. (INSTALLED)	6
		FLANGE NUT, 1/2-13NC.	2	73	47005773	REAR CHANNEL (N-SERVE)	1
		TORSION TUBE ASSEMBLY	1	74	47005772	FRONT CHANNEL (N-SERVE)	1
		POLE PIVOT LINK	2	75	47006545	U-BOLT, 1/2-13 NC	4
		CYL. PIN KIT (1X3 1/2) (2 PINS)	4	76	18891400	LOCKWASHER, 1/2" ZINC	8
		LINK ARM, WHEEL STRUT	2	77	18447400	NUT, HEX 1/2-13 NC ZC	8
		END BEARING, TORSION TUBE	2	78	PPSC4156BS	CHAIN, SAFETY 1/2" X 56" LG	1
		BOLT, 3/4-10NC. X 3	8	79	18059061	BOLT HEX CAP GR5 NC ZC 1 X 4	1
		LOCKWASHER, 3/4	8	80	18459002	NUT NYLOCK 1 GR 5	1
		HEX. NUT, 3/4-10NC.	8	81	18852200	WASHER FLAT 1" SAE ZC	3
		BOLT, 3/4-10NC. X 2 1/2	8			(ITEMS 78-81 CAN BE ORDERED AS A KIT P/N:47090314)	
		LOCKWASHER, 3/4	8				

**8500 SERIES WINGS  
PRIMARY AND SECONDARY**



# 8500 SERIES WINGS

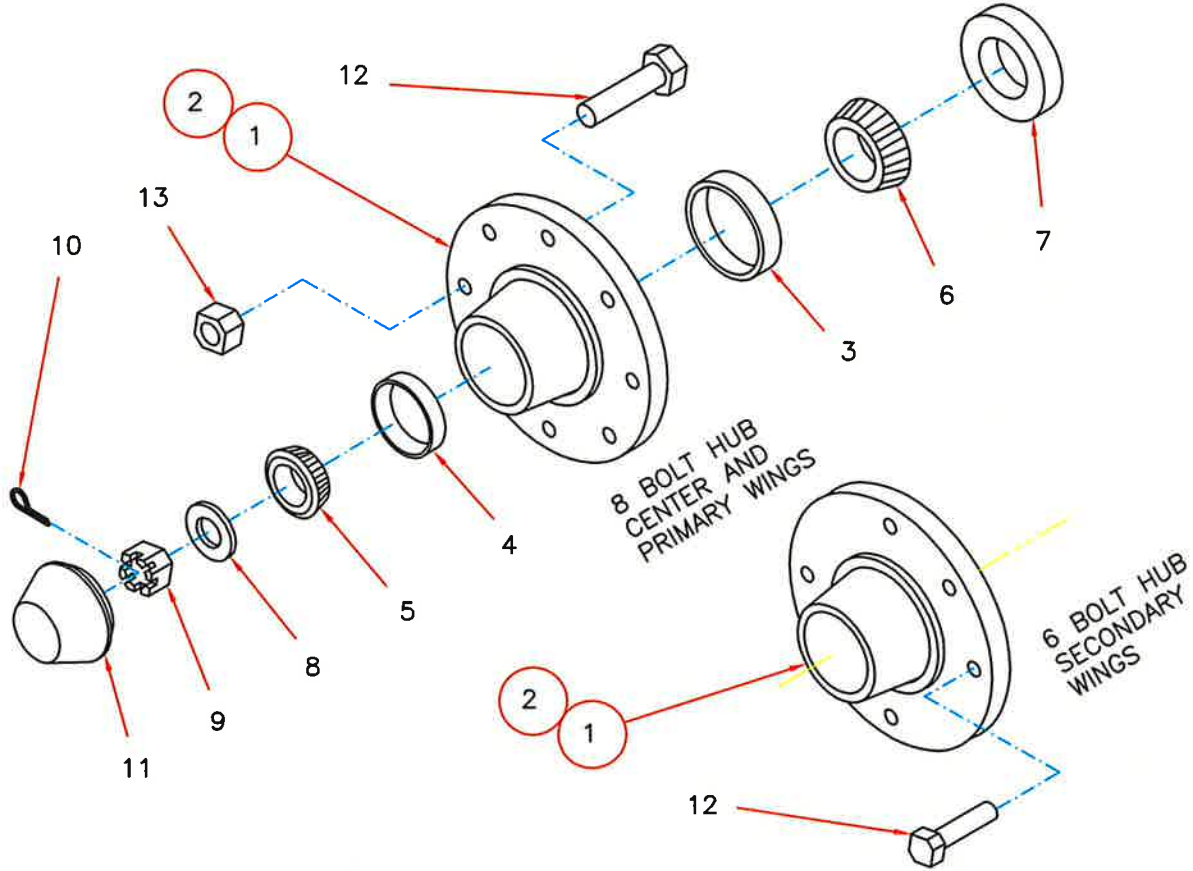
85KWNGLST  
REV 09-08-23

## PARTS LIST PRIMARY AND SECONDARY

ITEM	PART NO.	DESCRIPTION	QTY.	ITEM	PART NO.	DESCRIPTION	QTY.
1	47004445	PRIMARY WING, L.H.(21 ROW X 30")	1	27	47005319	SECONDARY WING, L.H.(21 ROW X 30")	1
	47004446	PRIMARY WING, R.H.(NOT SHOWN)	1		47005320	SECONDARY WING, R.H.	1
		COMMON FOR (23 ROW X 30") AND (24 ROW X 30") AND (25 ROW X 30") AND (61 ROW X 12")				(23 ROWS X 30") (24 ROWS X 30") (25 ROWS X 30")	
	47004462	PRIMARY WING, L.H.			47004472	SECONDARY WING, L.H.	
	47004463	PRIMARY WING, R.H.			47004473	SECONDARY WING, R.H.	
		COMMON FOR (24 ROW X 20") & (22 ROW X 22")				(61 ROWS X 12") ONLY	
	47004485	PRIMARY WING, L.H.			47004475	SECONDARY WING, L.H.	
	47004486	PRIMARY WING, R.H.			47004476	SECONDARY WING, R.H.	
2	699101	DECAL, DANGER-FALLING WINGS	2	28	18901806	GREASE ZERK, 90 DEG. (INSTALLED)	4
3	47004488	HINGE PIN, PRIMARY WING	4			ALSO USE ITEMS 21 TO 26	
4	47004491	PIN SPACER	4	29	47005056	HYDRAULIC CYLINDER (3 1/2 X 12)	2
5	18489150	SLOTTED NUT, 1 3/4-12NF	4	30	47003514	CYLINDER PIN KIT (1 X 4) 2 PINS	2
6	18560009	COTTER PIN, 1/4 x 3	4	31	47300094	HYDRAULIC CYLINDER (3 1/2 X 24)	4
7	47004575	HOSE STAND-OFF BRACKET	4	32	47003514	CYLINDER PIN KIT (1 X 4) 2 PINS	2
8	47004577	SPACER BUSHING	4	33	18549054	CLEVIS PIN (1 X 5)	4
9	18057430	BOLT, 1/2-13NC. X 2	4	34	18852200	FLATWASHER, 1" SAE	8
10	18891400	LOCKWASHER, 1/2	4	35	47010441	ROLLER, CYLINDER LINK	8
11	18811400	FLATWASHER, 1/2	4	36	18560826	COTTER PIN, 3/16 X 1 1/2	4
12	47004576	HOSE CLAMP PLATE	4	37	47010163	PIVOT LINK	4
13	18045726	BOLT, 1/4-20NC. X 1 1/2	8	38	47003514	CYLINDER PIN KIT (1 X 4) 2 PINS	2
14	18457000	HEX. LOCK NUT, 1/4-20NC.	8	39	47004568	HINGE PIN, (2NDRY WING)	4
15	47005449	HYDRAULIC CYLINDER (3 3/4 X 12)	2	40	18561030	COTTER PIN, 1/4 X 2	4
16	47003514	CYLINDER PIN KIT (1 X 4) 2 PINS	2	41	47010151	WING HOOK RETAINER	2
17	47005455	SET, DEPTH CONTROLS	4	42	47010149	WING HOOK ASSEMBLY	2
18	47010313	HINGE PIN, GAUGE WHEEL	4	43	47006950	U-BOLT, 5/8-11NC	4
19	18057430	BOLT, 1/2-13NC. X 2	4	44	18891600	LOCKWASHER, 5/8	8
20	18497400	FLANGE NUT, 1/2-13NC.	4	45	18417900	HEX. NUT, 5/8-11NC.	8
	47034492	PIVOT ARM ASSEMBLY, L.H.	2	46	47015048	SHANK MNTG. STUB, (STANDARD)	2
	47034493	PIVOT ARM ASSEMBLY, R.H.	2		47004470	SHANK MNTG. STUB, (61 ROW ONLY)	2
		INCLUDES ITEMS 21, 22 & 23		47	18057934	BOLT, 5/8-11NC. X 2 1/2	8
21	47004492	PIVOT ARM, L.H.	2	47A	47009847	U-BOLT, 5/8-11NC (OPTIONAL)	2
	47004493	PIVOT ARM, R.H.	2	48	18891600	LOCKWASHER, 5/8	8
22	18901806	GREASE ZERK, 90 DEG. (INSTALLED)	4	49	18417900	HEX. NUT, 5/8-11NC.	8
23	47009712	HUB ASSEMBLY	4	50	47004592	UTILITY MOUNT STUB (OPTIONAL)	2
24	47006023	WHEEL RIM, 22.5 X 8.25	4	51	47010154	U-BOLT, 5/8-11NC	4
25	20120012	VALVE STEM	4	52	18891600	LOCKWASHER, 5/8	8
26	179906	TIRE, 11R X 22.5, TRANSPORT (ALL)	4	53	18417900	HEX. NUT, 5/8-11NC.	8

# HUB ASSEMBLIES

8500HUB  
09/08/23



<u>ITEM</u>	<u>DESCRIPTION</u>	<u>6 BOLT PART NO.</u>	<u>8 BOLT PART NO.</u>	<u>QTY.</u>
1	HUB COMPLETE MFGR. PART NUMBER INCLUDES ITEMS 2 THRU 7 AND 11 THRU 13 ONLY	47009618 H618	47009712 HD812-1	1
2	HUB WITH RACES (# 3 & 4)	47005618	47005712	1
3	INNER BEARING RACE	47005520	47005372	1
4	OUTER BEARING RACE	47005510	47005272	1
5	OUTER BEARING CONE	47005548	47005279	1
6	INNER BEARING CONE	47005580	47005378	1
7	GREASE SEAL	47005030	47005017	1
8	SPINDLE WASHER, 1" SC	18000017	18000017	1
9	SPINDLE NUT, 1" UNF SC	18489100	18489100	1
10	COTTER PIN	18560828	18560830	1
11	DUST CAP	47005515	47005917	1
12	LUG BOLT (8 BOLT)		47005041	8
12	LUG BOLT (6 BOLT WB12)	47005012		6
13	LUG NUT (8 BOLT ONLY)		47005040	8

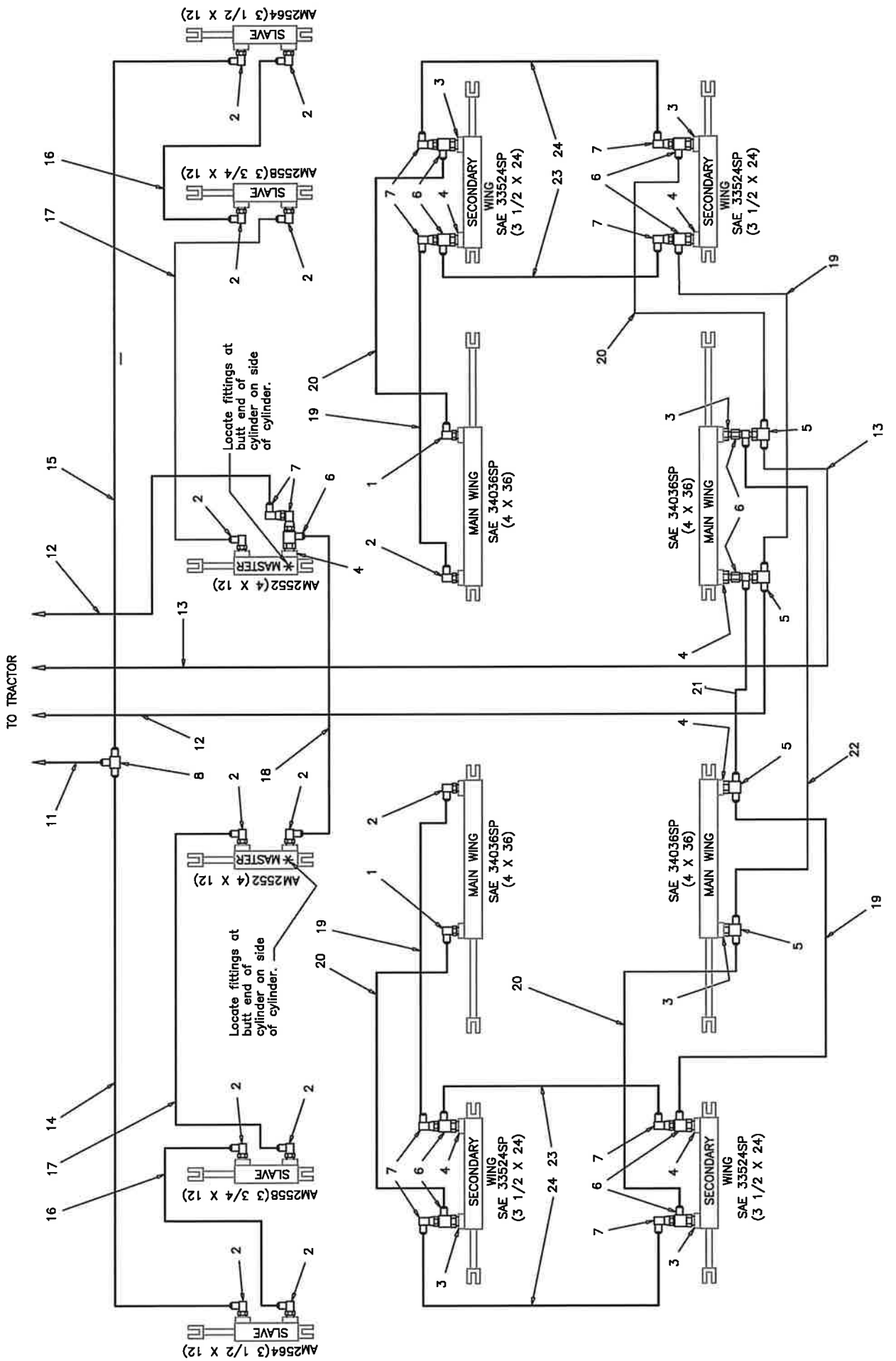


# HYDRAULIC PLUMBING SCHEMATIC

## 8500 SERIES TOOLBAR STANDARD ARRANGEMENT

### W/ FOUR HYDRAULIC GAUGE WHEELS AND SECONDARY WINGS

85KPLMRSTD  
ASBLT 10-16-09  
REV 06-13-14



HYDRAULIC PLUMBING SCHEMATIC  
HOSES AND FITTINGS  
8500 SERIES TOOLBAR STANDARD ARRANGEMENT  
W/ FOUR HYDRAULIC GAUGE WHEELS AND SECONDARY WINGS

85KPMBLSTD  
ASBLT10-16-09  
rev 06-13-14

		HOSE PACKAGE. STANDARD TOOLBAR P.N. 850002		
<u>ITEM</u>	<u>PART NO.</u>	<u>DESCRIPTION</u>		<u>QTY</u>
11	609198	HOSE, 3/8 X 198"	- 1/2 MPT X #6 JICFS	1
12	609322	HOSE, 3/8 X 322"	- 1/2 MPT X #6 JICFS	2
13	609282	HOSE, 3/8 X 282"	- 1/2 MPT X #6 JICFS	1
14	609402	HOSE, 3/8 X 402"	- #6 JICFS BOTH ENDS	1
15	609318	HOSE, 3/8 X 318"	- #6 JICFS BOTH ENDS	1
16	609126	HOSE, 3/8 X 126"	- #6 JICFS BOTH ENDS	2
17	609270	HOSE, 3/8 X 270"	- #6 JICFS BOTH ENDS	2
18	609177	HOSE, 3/8 X 177"	- #6 JICFS BOTH ENDS	1
19	601310	HOSE, 3/8 X 166"	- #6 JICFS BOTH ENDS	4
20	609128	HOSE, 3/8 X 152"	- #6 JICFS BOTH ENDS	4
21	609810	HOSE, 3/8 X 106"	- #6 JICFS BOTH ENDS	1
22	608184	HOSE, 3/8 X 184"	- #6 JICFS BOTH ENDS	1
23	608108	HOSE, 3/8 X 108"	- #6 JICFS BOTH ENDS	2
24	608161	HOSE, 3/8 X 161"	- #6 JICFS BOTH ENDS	2

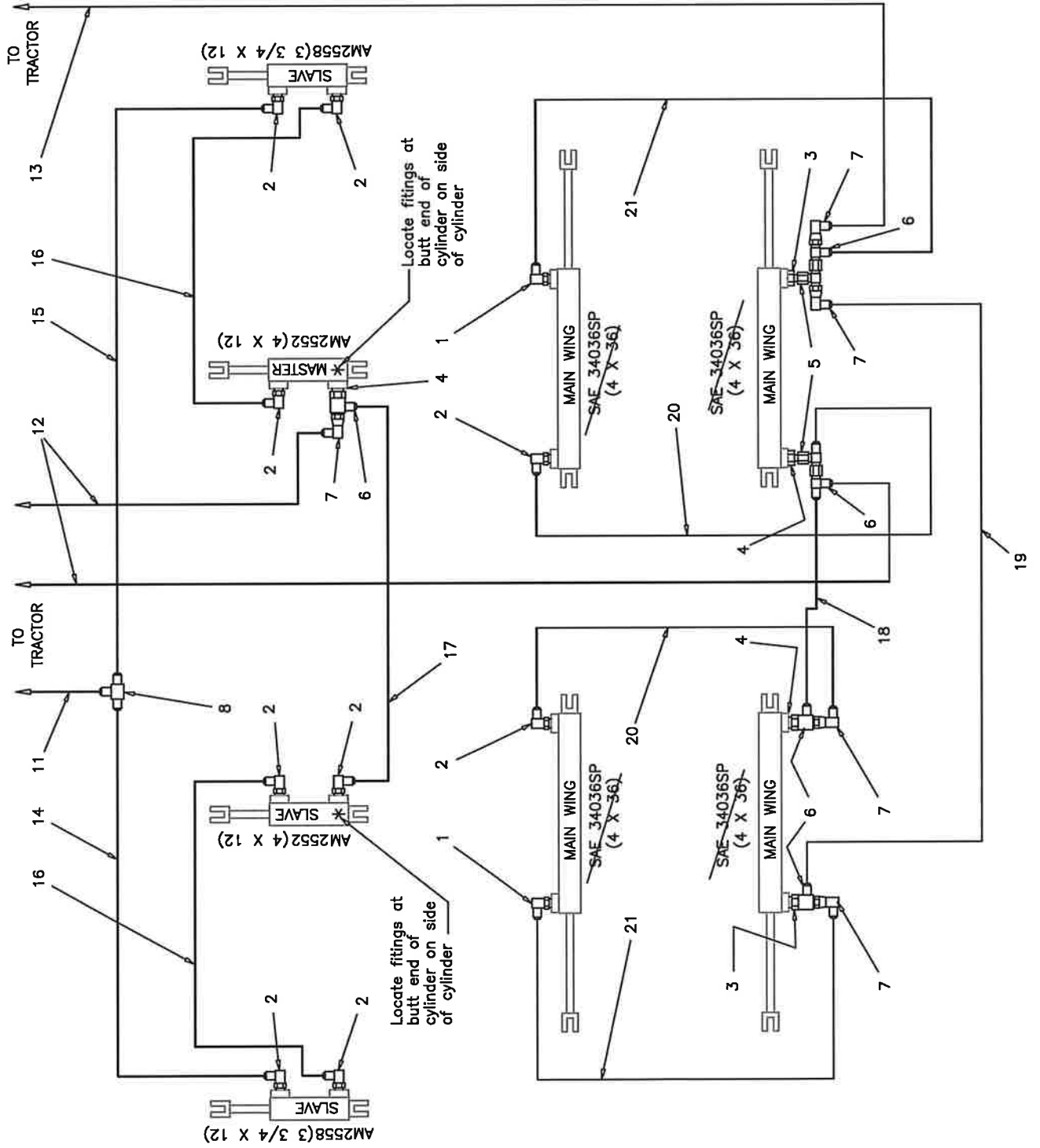
		FITTING PACKAGE, STANDARD TOOLBAR P.N. 850020		
<u>ITEM</u>	<u>PART NO.</u>	<u>DESCRIPTION</u>		<u>QTY</u>
1	6801-6-8R	ADAPTER ELBOW #6 MJIC X #8 M O-RING WITH .045 ORIFICE (BLACK FINISH)		2
2	6801-6-8	ADAPTER ELBOW #6 MJIC X #8 M O-RING		13
3	6400-6-8R	CONNECTOR, #6 MJIC X #8 M O-RING WITH .045 ORIFICE (BLACK FINISH)		6
4	6400-6-8	CONNECTOR, #6 MJIC X #8 M O-RING		7
5	6600-6	BRANCH TEE, #6 MJIC X #6 FJIC SWIVEL		4
6	6602-6	RUN TEE, #6 MJIC X #6 FJIC SWIVEL		11
7	6500-6	ELBOW, #6 MJIC X #6 FJIC SWIVEL		10
8	2603-6	UNION TEE, #6 MJIC		1

# HYDRAULIC PLUMBING SCHEMATIC

## 8500 SERIES TOOLBAR 20" & 22" SPACING

### W/ TWO HYDRAULIC GAUGE WHEELS AND PRIMARY WINGS ONLY

85KPMB2022  
PRO/06-13-14





# HYDRAULIC PLUMBING SCHEMATIC

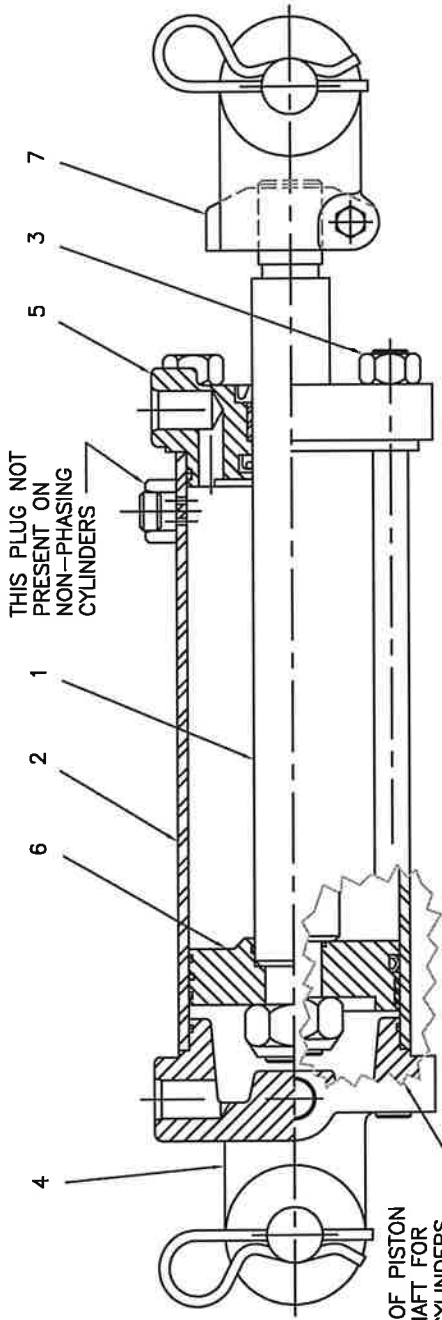
HOSES AND FITTINGS  
8500 SERIES TOOLBAR 20" & 22" SPACING  
W/ TWO HYDRAULIC GAUGE WHEELS AND PRIMARY WINGS ONLY

## HOSE PACKAGE. for 20 & 22" SPACING P.N. 850001

<u>ITEM</u>	<u>PART NO.</u>	<u>DESCRIPTION</u>	<u>QTY</u>
11	609198	HOSE, 3/8 X 198" - 1/2 MPT X #6 JICFS	1
12	609322	HOSE, 3/8 X 322" - 1/2 MPT X #6 JICFS	2
13	609282	HOSE, 3/8 X 282" - 1/2 MPT X #6 JICFS	1
14	609270	HOSE, 3/8 X 270" - #6 JICFS BOTH ENDS	1
15	609200	HOSE, 3/8 X 200" - #6 JICFS BOTH ENDS	1
16	609300	HOSE, 3/8 X 300" - #6 JICFS BOTH ENDS	2
17	609177	HOSE, 3/8 X 177" - #6 JICFS BOTH ENDS	1
18	609810	HOSE, 3/8 X 106" - #6 JICFS BOTH ENDS	1
19	608184	HOSE, 3/8 X 184" - #6 JICFS BOTH ENDS	1
20	608108	HOSE, 3/8 X 108" - #6 JICFS BOTH ENDS	2
21	608161	HOSE, 3/8 X 161" - #6 JICFS BOTH ENDS	2

## FITTING PACKAGE, for 20 & 22" SPACING P.N. 850010

<u>ITEM</u>	<u>PART NO.</u>	<u>DESCRIPTION</u>	<u>QTY</u>
1	6801-6-8R	ADAPTER ELBOW #6 MJIC X #8 M O-RING WITH .045 ORIFICE (BLACK FINISH)	2
2	6801-6-8	ADAPTER ELBOW #6 MJIC X #8 M O-RING	9
3	6400-6-8R	CONNECTOR, #6 MJIC X #8 M O-RING WITH .045 ORIFICE (BLACK FINISH)	2
4	6400-6-8	CONNECTOR, #6 MJIC X #8 M O-RING	3
5	6600-6	BRANCH TEE, #6 MJIC X #6 FJIC SWIVEL	2
6	6602-6	RUN TEE, #6 MJIC X #6 FJIC SWIVEL	5
7	6500-6	ELBOW, #6 MJIC X #6 FJIC SWIVEL	5
8	2603-6	UNION TEE, #6 MJIC	1



CONFIGURATION OF PISTON AND END OF SHAFT FOR NON-PHASING CYLINDERS

ITEM NO.	DESCRIPTION	MAIN CYL. CNTR. SCTN. 4 X 36 47300095 B4003608BAGA07A	WING CYL. 32-42 FT. BAR 3 X 24 47300093 B300240BBA007F	WING CYL. CNTR. MASTER 4 X 12 47005459 PMS-AM-2552A	WHEEL CYL. CNTR. ASSIST 3 X 12 47005414 AT-506	WHEEL CYL. WING, SLAVE 3 3/4 X 12 47005449 PMS-AM-2558A	WHEEL CYL. WING, SLAVE 3 1/2 X 12 47005056 PMS-AM-2564	QTY.	REQ'D
1	SHAFT	011041438A	010729750A	010700698	010600379	0107000698	010600379	1	1
2	TUBE	051938563A	051726063A	061900598	051500708	061800022	061700366	1	1
3	TIE ROD ASSM.	170301414	170201283	170301173	170201163	170301173	170201163	4	4
4	BUTT	1419005SF	1415005SF	141900037	141500043	141800009	141700023	1	1
5	GLAND ASSM.	0819BBNSF	0815BBGSF	081900374	082500337	081800022	081700269	1	1
6	PISTON	071900260	071500244	071900174	071500267	071800021	071700208	1	1
7	CLEVIS ASSM. REPAIR KIT	100000326 47034000	100000577 47033500	100000577 47002552	100000423 470AT506	100000577 47032558	100000423 47002564	1	1

Repair kit items not available individually.

TIE ROD DISASSEMBLY--ASSEMBLY PROCEDURE.

With the cylinder removed from the machine, cleaned, drained of oil and fully retracted, proceed as follows.

DISASSEMBLY.

1. Secure the cylinder in a vice or other method to prevent rotation. Clean the immediate area so the parts can be laid out.
2. Remove the tie rod nuts. Pull the shaft assembly from the cylinder. Remove the tube item (2).
3. Loosen the clevis nut and remove the clevis item (7) from the shaft assembly.
4. Place the shaft assembly in a vice with brass or copper jaws so as not to damage the shaft.
5. Remove all seals from the butt, (item 4) gland assembly, (item 5) and piston (item 6) for replacement. Clean and inspect all parts for damage, (nicks, scratches, cracks etc.). Replace as necessary. If you have any question please contact Prince Engineering (712-277-4061)

REASSEMBLY.

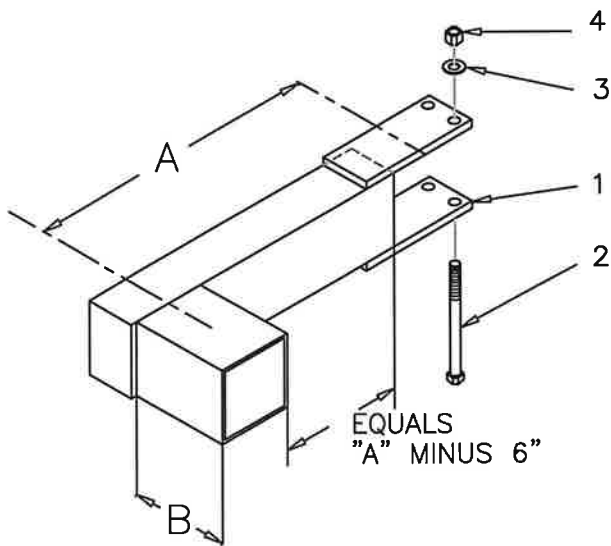
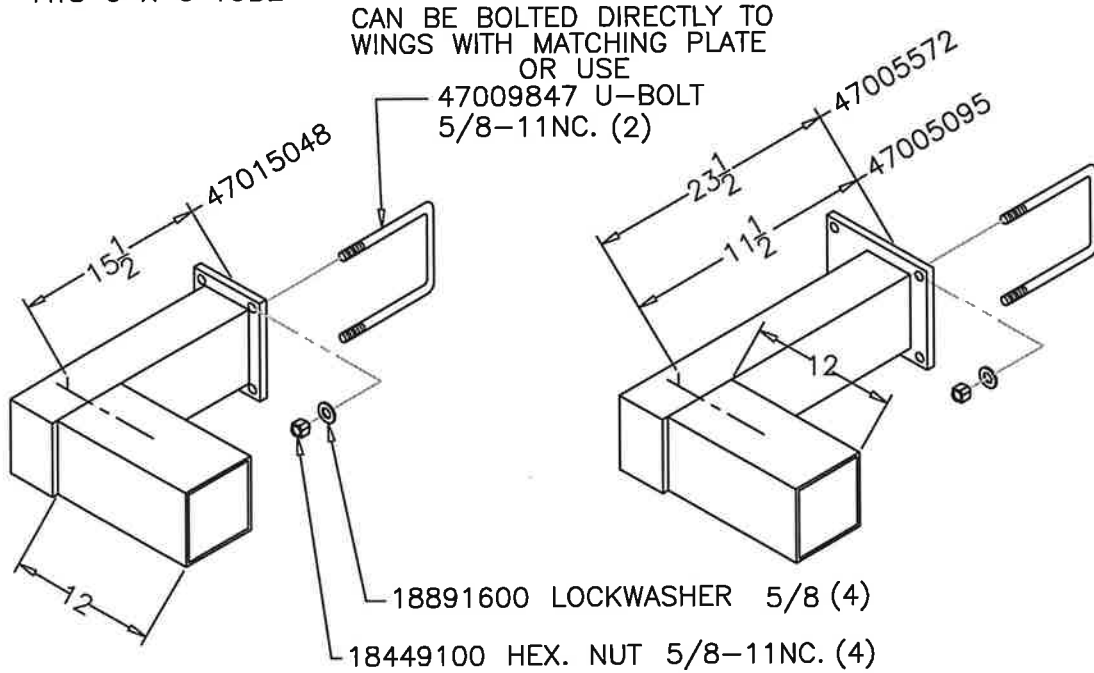
1. Replace all the seals on items (4), (5), and (6) except, for non-phasing cylinders do not replace the small o-ring on the ID of the piston item (6) until you are ready to attach the shaft item (1).
2. For non-phasing cylinders, place the small o-ring seal for the piston over the shaft turnaround. Apply a light coat of grease to the seal. Slip the piston item (6) onto the turnaround with the o-ring counterbore towards the shaft shoulder. Take care not to pinch the o-ring between the piston and the shoulder.
3. Replace the shaft end nut and secure.
4. Apply a light coat of grease to the seals on the gland item (5) and slip the gland over the shaft end. Be very careful not to damage the seals. Slip the entire assembly into the lightly oiled tube, item (2) with the piston first making sure the tube slips over the OD seals of the gland.
5. Take the entire assembly from step 4 and slip the tube over the OD seal on the butt item (4). Align the ports in the butt and the gland and assemble the nuts to the tie rods and torque uniformly.
6. Test the reassembled cylinder for leaks and install in your machine. If you have any problems please contact Prince Engineering (712-277-4061)

# STAGGER BRACKET ASSEMBLY

SPECIAL STAGGER BRACKETS AVAILABLE

FITS 6 X 6 TUBE

STGBK6X6  
rev 04-29-13



STANDARD STAGGER  
BRACKETS AVAILABLE  
FITS 6 X 6 TUBE

A = TUBE CENTERLINE TO TUBE CL  
TO DETERMINE THE  
DISTANCE BETWEEN  
THE TOOLBAR AND  
THE STAGGER BRACKET  
SHANK MOUNT TUBE  
DEDUCT 6 INCHES  
FROM DIM. "A"

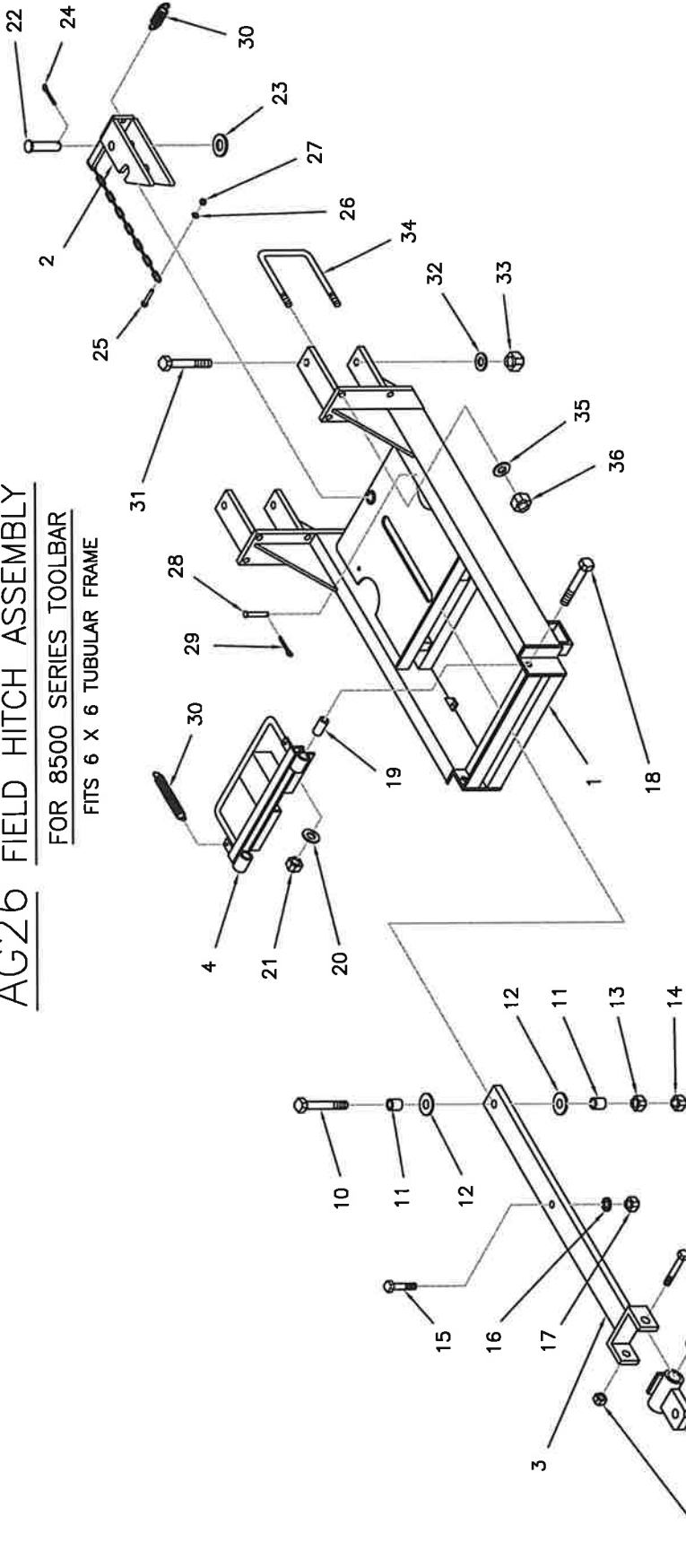
ITEM	PART NO.	DESCRIPTION	DIM. A	DIM. B	QTY.
1	47004350	STAGGER BRACKET - SHORT	18 1/4	12	1
	47004354	STAGGER BRACKET - SHT/SPCL	18 1/4	15	1
	47004591	STAGGER BRACKET - SHT/SPCL	18 1/4	8	1
	47004356	STAGGER BRACKET - MEDIUM	24	12	1
	47004358	STAGGER BRACKET - LONG	30	8	1
	47004593	STAGGER BRACKET - XTLONG	36	8	1
	47005032	STAGGER BRACKET - 2-XT.LONG	44	8	1
2	18058476	BOLT, 3/4-10NC. X 8 1/2	---	---	2
3	18891800	LOCKWASHER, 3/4	---	---	2
4	18418400	HEX. NUT, 3/4-10NC.	---	---	2

# AG26 FIELD HITCH ASSEMBLY

FOR 8500 SERIES TOOLBAR

FITS 6 X 6 TUBULAR FRAME

AG268500

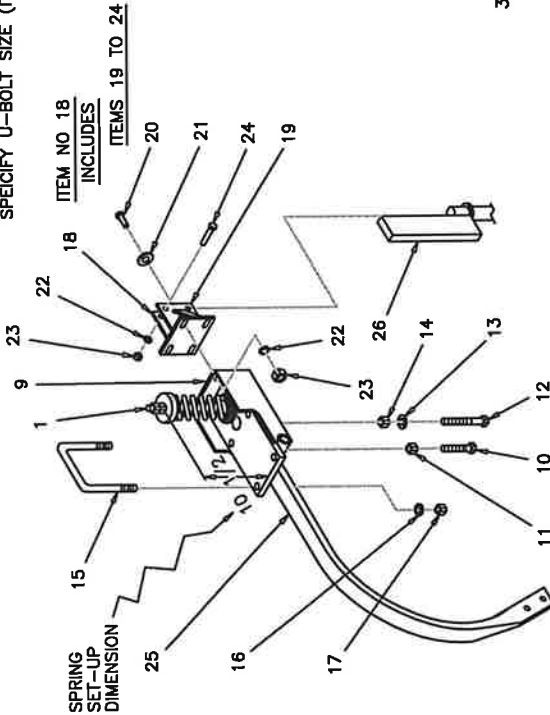


ITEM	PART NO.	DESCRIPTION	QTY.	ITEM	PART NO.	DESCRIPTION	QTY.
1	40268500	HITCH ASSEMBLY COMPLETE	1	18	18057940	BOLT, 5/8-11NC. X 3 1/2	2
2	40268501	INCLUDES ITEMS, 1 TO 36	1	19	47008877	PIVOT BUSHING, 5/8 I.D.	2
3	47009887	HITCH ASSEMBLY, LESS MOUNTING BOLTS	1	20	18851600	FLATWASHER, 5/8 NOM. I.D. SAE.	2
4	47008852	INCLUDES ITEMS, 1 TO 30	1	21	18457900	LOCKNUT, 5/8-11NC.	2
5	47008853	MAIN FRAME, STANDARD	1	22	18541551	CATCH PIVOT PIN, 1 X 4	1
6	47008854	DRAWBAR CATCH	1	23	18842200	FLATWASHER, 1" SAE	1
7	47008918	DRAWBAR (SEE NOTE 1)	1	24	18560826	COTTER PIN, 3/16 X 1 1/2	1
8	47008919	DRAWBAR LOCK	1	25	18055722	BOLT, 1/4-18NC. X 1	1
9	47008914	DRAWBAR HITCH, 6 AND 7	1	26	18891000	LOCKWASHER, 1/4 NOM. I.D.	1
10	47008918	INCLUDES ITEMS, 6 AND 7	1	27	18435700	HEX. NUT, 1/4-18NC.	1
11	47008919	FIBER BUSHING	2	28	18541147	CLEVIS PIN, 5/16 X 2 1/4	1
12	47008920	SPECIAL BUSHING	1	29	18560622	COTTER PIN, 1/8 X 1	1
13	18459000	HEX. LOCKNUT, 1-8NC.	1	30	000018	EXTENSION SPRING	3
14	18098539	BOLT, 7/8-9NC. X 5 1/2	1	31	47992603	BOLT PKG. INCL. ITEMS, 31 TO 36	2
15	47009459	CATCH BUSHING, 7/8 I.D.	1	32	18058476	BOLT, 3/4-10NC. X 8 1/2	2
16	18852400	FLATWASHER, 1 1/4 NOM. I.D. (SAE)	2	33	18891800	LOCKWASHER, 3/4 NOM. I.D.	2
17	18417800	HEX. NUT, 7/8-9NC.	1	34	18418400	HEX. NUT, 3/4-10NC.	2
18	18458000	LOCKNUT, 7/8-9NC.	1	35	47009847	U-BOLT, 5/8-11NC. (FOR 6X6 TUBE)	4
19	18058430	BOLT, 3/4-10 NC. X 2	1	36	18891600	LOCKWASHER, 5/8 NOM. I.D.	8
20	18891800	LOCKWASHER, 3/4	1		18417900	HEX. NUT, 5/8-11NC.	8
21	18418400	HEX. NUT, 3/4-10NC.	1				

# SPRING BUNDLE ASSEMBLY

FOR 6 X 4 BAR YEAR 2000 TO PRESENT  
AND 6 X 6 BAR

SPECIFY U-BOLT SIZE (ITEM 15)



ITEM NO. 1

INCLUDES ITEMS 2 TO 8

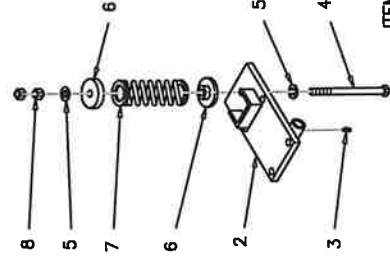
ITEM NO. 9  
INCLUDES ITEM 1  
AND 10 TO 17

ITEM	PART NO.	DESCRIPTION	QTY
1	47010082	SPRING SHANK MOUNT ASSEMBLY	1
2	47010189	INCLUDES ITEMS 2 TO 8	1
3	18901805	SHANK MOUNTING BASE	1
4	47007766	GREASE ZERK	2
5	18851800	BOLT, 3/4-10NC. X 1 3/4	1
6	47007085	FLATWASHER, 3/4	2
7	47007085	END COLLAR	2
8	18446890	COMPRESSION SPRING	1
9	47020082	HEX. NUT, 3/4-10NC. GR. 5	2
10	47020082	SPRING LOADED SHANK MOUNT COMPLETE (NO COULTER)	1
11	47990082	INCLUDES ITEMS 1 AND 10 TO 17 (SHIPPING INFO) HARDWARE PACKAGE	1
12	18058429	INCLUDES ITEMS 10 TO 17	1
13	18449003	BOLT, 3/4-10NC. X 1 3/4	1
14	18058436	HEX. JAM NUT, 3/4-10NC.	1
15	18891800	BOLT, 3/4-10NC. X 3	1
16	18418400	LOCKWASHER, 3/4	1
17	47007083	HEX. NUT, 5/8-11NC. (4 X 6 BAR)	1
18	47009847	U-BOLT, 5/8-11NC. (6 X 6 BAR)	2
19	18891600	LOCKWASHER, 5/8	4
20	18417900	HEX. NUT, 5/8-11NC.	4

P.N. 47039417

SPRING BUNDLE ASSEMBLY COMPLETE  
INCLUDES AT ITEMS (1 TO 25)  
DOES NOT INCLUDE THE SHANK OR COULTER

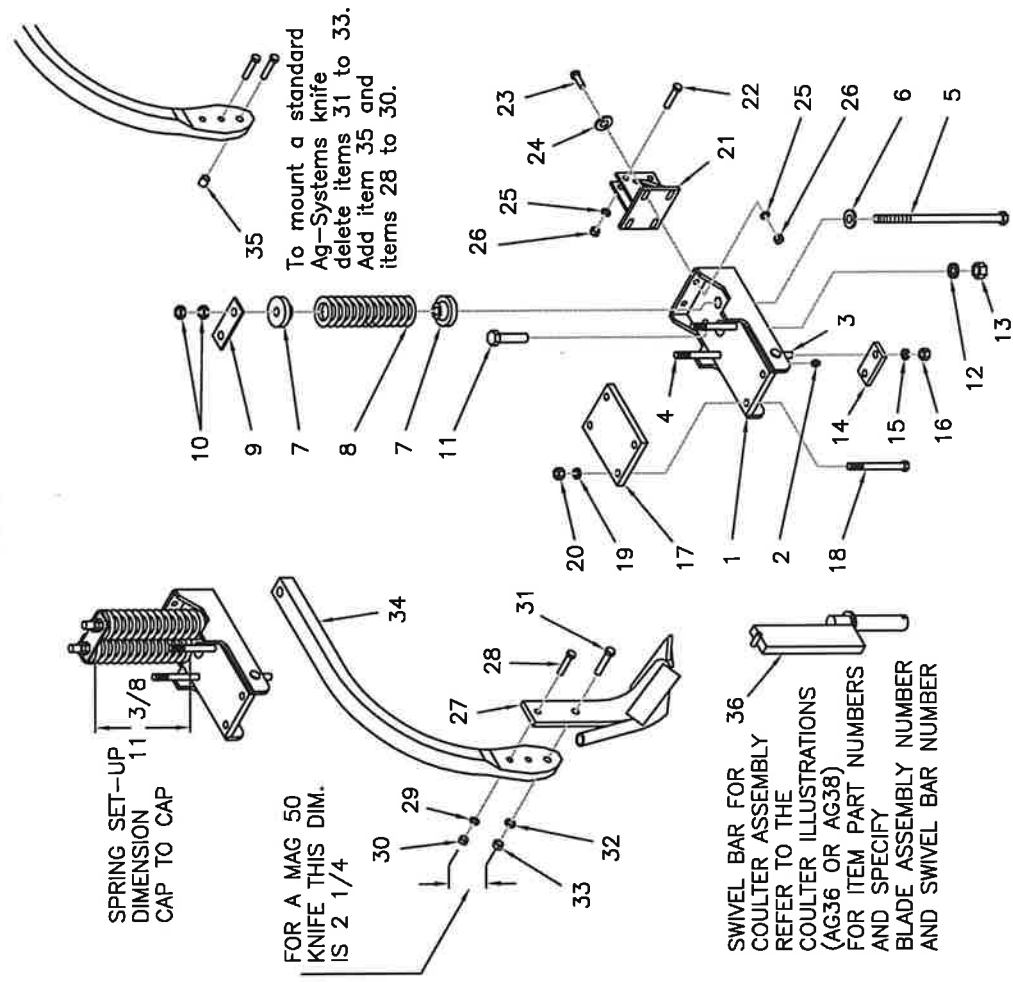
ITEM	PART NO.	DESCRIPTION	QTY
1	47029413	SPRING SHANK MOUNT ASSEMBLY	1
2	47019413	INCLUDES ITEMS 2 TO 8	1
3	18901805	SHANK MOUNTING BASE	1
4	47007766	GREASE ZERK	2
5	18811800	BOLT, 3/4-10NC. X 1 5	1
6	47007085	FLATWASHER, 3/4	2
7	47007085	END COLLAR	2
8	18446890	COMPRESSION SPRING	1
9	47039413	HEX. NUT, 3/4-10NC. GR. 5	2
10	47039413	SPRING LOADED SHANK MOUNT COMPLETE (NO COULTER)	1
11	18058429	INCLUDES ITEMS 1 AND 10 TO 17	1
12	18449003	BOLT, 3/4-10NC. X 1 3/4	1
13	18058436	HEX. JAM NUT, 3/4-10NC.	1
14	18891800	BOLT, 3/4-10NC. X 3	1
15	18418400	LOCKWASHER, 3/4	1
16	47007083	HEX. NUT, 5/8-11NC. (4 X 6 BAR)	1
17	47009847	U-BOLT, 5/8-11NC. (6 X 6 BAR)	2
18	18891600	LOCKWASHER, 5/8	4
19	18417900	HEX. NUT, 5/8-11NC.	4
20	47029417	COULTER MOUNTING BRACKET ASSEMBLY	1
21	47019417	INCLUDES ITEM 19 TO 24	1
22	18057426	COULTER MOUNTING BRACKET	1
23	18811400	BOLT, 1/2-13NC. X 1 1/2	4
24	18891400	FLATWASHER, 1/2	4
25	18417400	LOCKWASHER, 1/2	6
26	18057434	HEX. NUT, 1/2-13NC. X 2 1/2	2
27	103471	BOLT, 1/2-13NC. X 2 1/2	2
28	103471	SPRING SHANK (OR AS SPECIFIED)	1
29	103471	COULTER ASSEMBLY COMPLETE	1
30	103471	REFER TO COULTER ILLUSTRATIONS (AG36 OR AG38) FOR ITEM PART NUMBERS AND SPECIFY BLADE ASSEMBLY NUMBER AND SWIVEL BAR NUMBER.	1



ITEM 9 PART NO. 47020082  
SPRING LOADED SHANK MOUNT COMPLETE (NO COULTER)

ITEM 1 (REPAIR PARTS)  
SPRING SHANK MOUNT ASSEMBLY  
INCLUDES ITEMS 2 TO 8

# SPRING BUNDLE ASSEMBLY WITH DUAL SPRINGS AND HEAVY SHANK



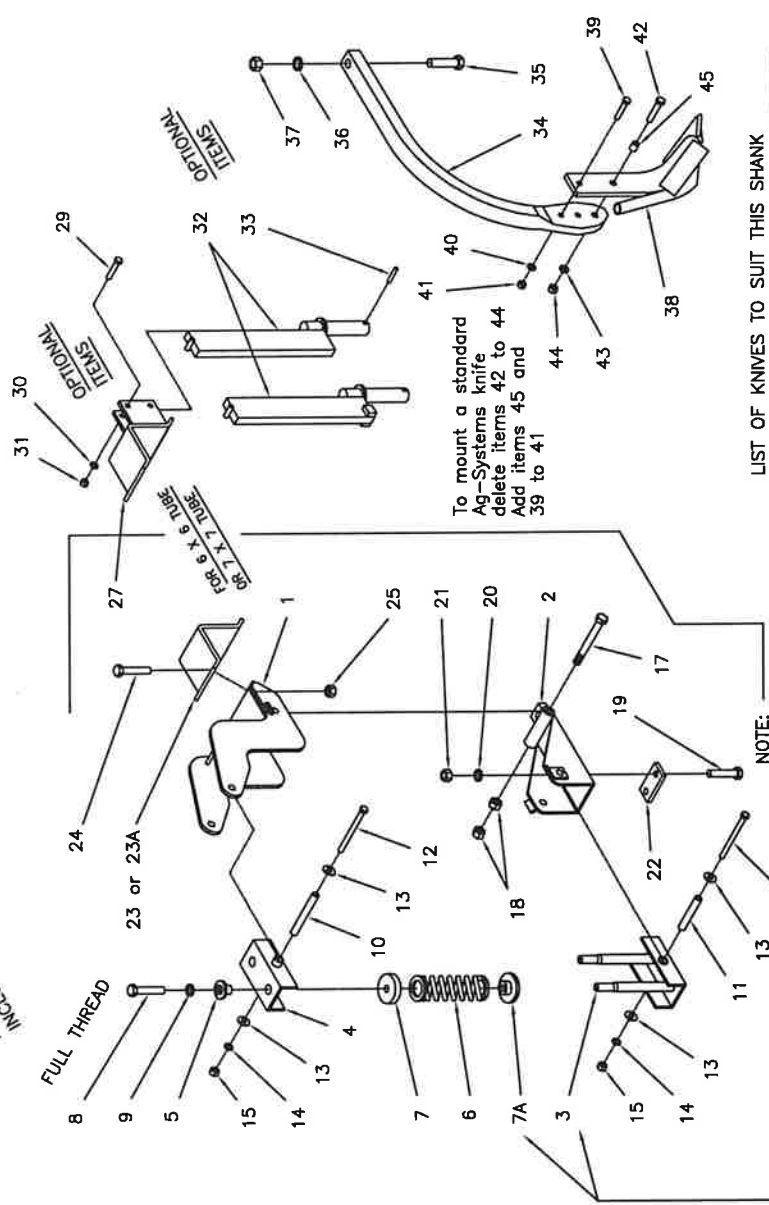
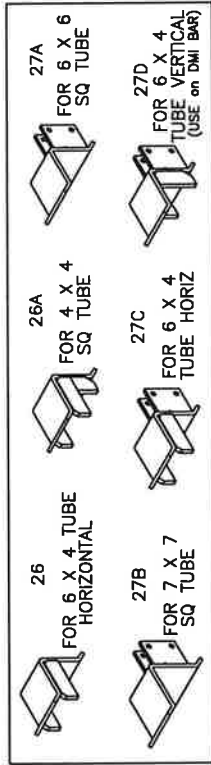
ITEM	PART NO.	DESCRIPTION	QTY
	47009661	SPRING BUNDLE COMPLETE	
	INCLUDES	ITEMS 1 TO 20 PREASSEMBLED	
1	47019661	SPRING BUNDLE BRACKET	1
2	18901805	GREASE ZERK, 1/4-28NF	2
		ITEMS 3 AND 4 ARE CAPTURED IN THE ASSEMBLY WHEN THE SPRINGS ARE INSTALLED.	
3	18057942	BOLT, 5/8-11NC. X 3 3/4	2
4	18057971	BOLT, 5/8-11NC. X 6 1/2	2
5	18057976	BOLT, 5/8-11NC. X 8 1/2	OPT
6	47007766	SPRING BOLT, 3/4-10NC. X 15 1/2	2
7	18811800	FLAT WASHER, 3/4	2
7	47007085	SPRING CAP	4
8	47007565	COMPRESSION SPRING, 5/8 WIRE	2
9	47019672	TOP WASHER PLATE	1
10	18446890	HEX. NUT, 3/4-10NC	4
11	18058501	BOLT, 7/8-9NC. X 3 3/4	4
12	18892000	LOCK WASHER, 7/8	1
13	18417800	HEX. NUT, 7/8-9NC.	1
14	47009671	CLAMP PLATE-SHANK	1
15	18891600	LOCK WASHER, 5/8	2
16	18417900	HEX. NUT, 5/8-11NC.	2
17	47009678	CLAMP PLATE-TOOLBAR	1
18	18057971	BOLT, 5/8-11NC. X 6 1/2	2
18	18057976	BOLT, 5/8-11NC. X 8 1/2	OPT
19	18891600	LOCK WASHER, 5/8	4
20	18417900	HEX. NUT, 5/8-11NC.	4
	47029417	COULTER MOUNTING BRACKET	
		INCLUDES ITEMS 21 TO 26	
21	47019417	COULTER MOUNTING BRACKET	1
22	18057434	BOLT, 1/2-13NC. X 2 1/2	2
23	18057426	BOLT, 1/2-13NC. X 1 1/2	4
24	18811400	FLATWASHER, 1/2	4
25	18891400	LOCKWASHER, 1/2	6
26	18417400	HEX. NUT, 1/2-13NC.	6
27	201996	KNIFE, MAG 50 W/3/8 NH3 TUBE	
	201997	KNIFE, GOPHER W/1/2 LIQ. TUBE	
	201998	KNIFE, GOPHER W/1 1/4 DRY TUBE	
	201999	KNIFE, GOPHER for DUAL SHOOT	
	202999	1/2 NH3 TUBE & 1 1/4 DRY TUBE	
		KNIFE, GOPHER for DUAL SHOOT	
	203998	3/8 NH3 TUBE & 1 1/4 DRY TUBE	
	47309997	KNIFE, GOPHER W/ 1" DRY TUBE	
	18037433	KNIFE, MAG 50 W/ 1" DRY TUBE	
28	18891400	BOLT, 1/2-13NC. X 2 1/2 GR2	1
29	18891400	LOCK WASHER, 1/2	1
30	18417400	HEX. NUT, 1/2-13NC.	1
31	18057934	BOLT, 5/8-11NC. X 2 1/2	1
32	18891600	LOCK WASHER, 5/8	1
33	18417900	HEX. NUT, 5/8-11NC.	1
34	200999	KNIFE SHANK 1 1/4 THK (TO SPRING 2007)	1
	201000	KNIFE SHANK 1 1/2 THK (FALL 07 TO PRESENT)	1
35	47009960	KNIFE MOUNT BUSHING	OPT.
36	COULTER SWIVEL BAR, (SEE NOTE)		

THESE ARE  
HEAVY  
KNIVES  
9/16 X 3  
BODY WITH  
5/8 DIA.  
SHEAR  
BOLT.

# SPRING BUNDLE ASSEMBLY (PRE 2014)

## HI-TRIP SHANK ASSEMBLY (HTS ASSEMBLY)

(COMPLETE W/ SHANK & KNIFE P.N. 4703650H)



NOTE:  
ITEM 7A IS NEW FOR FALL 2008. WHEN REPLACING SPRING FRAME ITEM 3, ALSO ORDER ITEM 7A OR DRILL OUT EXISTING SPRING CAPS ITEM 7 TO 1.280 DIA. (BOTTOM (2) CAPS ONLY)

NOTE:  
BOLT ITEM 17 IS REVISED FOR YEAR 2006. WHEN REPLACING THE BOLT (ITEM 17) ON UNITS BUILT BEFORE 2006, YOU MUST DRILL OUT THE HOLE IN THE LEFT HAND PLATE OF THE MAIN BRACKET (ITEM 1) TO 3/4 DIAMETER.

LIST OF KNIVES TO SUIT THIS SHANK

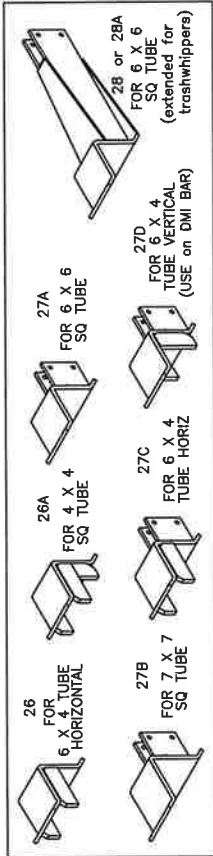
- 201996 KNIFE, MAG 50 W/3/8 NH3 TUBE
- 201997 KNIFE, GOPHER W/1/2 LIQ. TUBE
- 201998 KNIFE, GOPHER W/1 1/4 DRY TUBE
- 201999 KNIFE, GOPHER FOR DUAL SHOOT
- 202999 1/2 NH3 TUBE & 1 1/4 DRY TUBE
- 3/8 NH3 TUBE & 1 1/4 DRY TUBE
- 203998 KNIFE, GOPHER W/ 1" DRY TUBE
- 47309997 KNIFE, MAG 50 W/ 1" DRY TUBE

ITEM	PART NO.	DESCRIPTION	QTY
	47014530	SPRING BUNDLE COMPLETE	
	INCLUDES ITEMS 1 TO 19 (PREASSEMBLED)		
1	47004530	MAIN BRACKET, (STANDARD)	1 OR
	47015003	MAIN BRACKET, (7 X 7 BAR)	1
2	47004533	SHANK PIVOT BRACKET	
	47014541	SPRING FRAME ASSEMBLY	
	INCLUDES ITEMS 3 TO 9		
3	47004541	SPRING FRAME, BOTTOM	1
4	47004538	SPRING FRAME, TOP	1
5	47004544	SPRING RETAINER	2
6	47007565	COMPRESSION SPRING, 5/8 WIRE	2
7	47004549	SPRING CAP, TOP	2
7A	47005330	SPRING CAP, BOTTOM	2
NEW	47004547	SEE NOTE RE ITEM 7A (ON ILLUSTRATION)	
8	47004547	BOLT, 5/8-11NC. X 3 3/4 (SPECIAL)	2
9	18891600	LOCK WASHER, 5/8	2
10	47004551	INNER BUSHING, (TOP) 5 13/16	1
11	47004550	INNER BUSHING, (BOTTOM) 5	1
12	18057464	BOLT, 1/2-13NC. X 7	1
13	18811400	FLAT WASHER, 1/2	4
14	18891400	LOCK WASHER, 1/2	2
15	18417400	HEX. NUT, 1/2-13NC	2
16	18057462	BOLT, 1/2-13NC. X 6	1
17	18058422	BOLT, 3/4-10NC. X 7 1/2 GR 5	1
18	18418400	HEX. NUT, 3/4-10NC.	2
19	18057946	BOLT, 5/8-11NC. X 4 GR5 ZC	2
20	18891600	LOCK WASHER, 5/8	2
21	18417900	HEX. NUT, 5/8-11NC	2
22	47009671	SHANK CLAMP PLATE	1
23	47004532	SPRING BUNDLE CLAMP (6X6 BAR)	OR
23A	47015004	SPRING BUNDLE CLAMP (7X7 BAR)	OR
24	18098453	BOLT, 5/8-11NC. X 3 GR 8	4
25	18458451	TOP LOCK NUT, 5/8-11NC	4
	ITEMS 26 TO 45 ARE CONSIDERED "OPTIONAL"		
26	47004555	SPRING BUNDLE CLAMP (6X4 HORIZ)	1
26A	47004555S	SPRING BUNDLE CLAMP (4X4 BAR)	1
27A	47004553	CLAMP W/CLTR MOUNT (6X6 BAR)	1
27B	47015005	CLAMP W/CLTR MOUNT (7X7 BAR)	1
27C	47004557	CLAMP W/CLTR MOUNT (6X4 BAR)	1
27D	47004557D	CLAMP W/CLTR MNT DMI (6X4 VERT)	1
29	18057434	BOLT, 1/2-13NC. X 2 1/2	2
30	18891400	LOCK WASHER, 1/2	2
31	18417400	HEX. NUT, 1/2-13NC.	2
32	47303811	COULTER SWIVEL BAR (INCL ITEM 33)	1
33	18511032	SPRING PIN, 1/4 X 2 1/4 (STD)	1
	OPTIONAL		
	CALL AG SYSTEMS FOR INFO.		
SEE	AG37	GENERATION THREE COULTER ILLUSTRATION	
32	47304522	COULTER SWIVEL BAR (SPECIAL)	1
34	200999	KNIFE SHANK, 1 1/4 THK (TO SPRING 2007)	1
	201000	KNIFE SHANK, 1 1/2 THK (FALL 07 TO PRESENT)	1
35	18058501	BOLT, 7/8-9NC. X 4	1
36	18892000	LOCK WASHER, 7/8	1
37	18417800	HEX. NUT, 7/8-9NC.	1
38	SEE LIST OF KNIVES AT LEFT		
	THESE ARE HEAVY KNIVES WITH 9/16 X 3 BODY		
39	18037432	BOLT, 1/2 -13NC. X 2 1/4 GR.2	1
40	18891400	LOCK WASHER, 1/2	1
41	18417400	HEX. NUT, 1/2-13NC.	1
42	18057934	BOLT, 5/8-11NC. X 2 1/2	1
43	18891600	LOCK WASHER, 5/8	1
44	18417900	HEX. NUT, 5/8-11NC.	1
45	47009960	KNIFE MOUNT BUSHING	OPT.

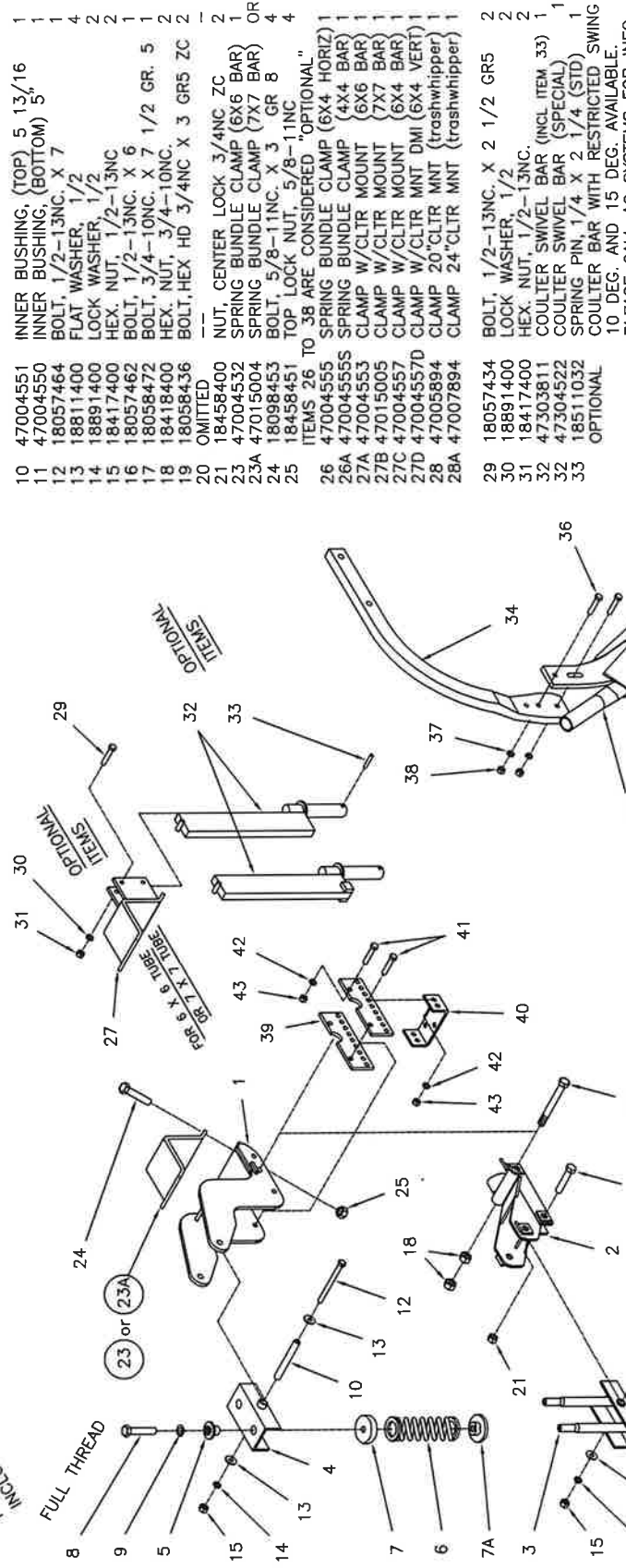
# SPRING BUNDLE ASSEMBLY (FOR EDGE-BENT SHANK) 2014 & NEWER

## HI-TRIP EDGE BENT SHANK ASSEMBLY

- ( COMPLETE W/ SHANK P.N. 47953973 4" X 6" MOUNTING BRKT) [NO COULTER]
- ( COMPLETE W/ SHANK P.N. 47983973 6" X 6" MOUNTING BRKT) [NO COULTER]



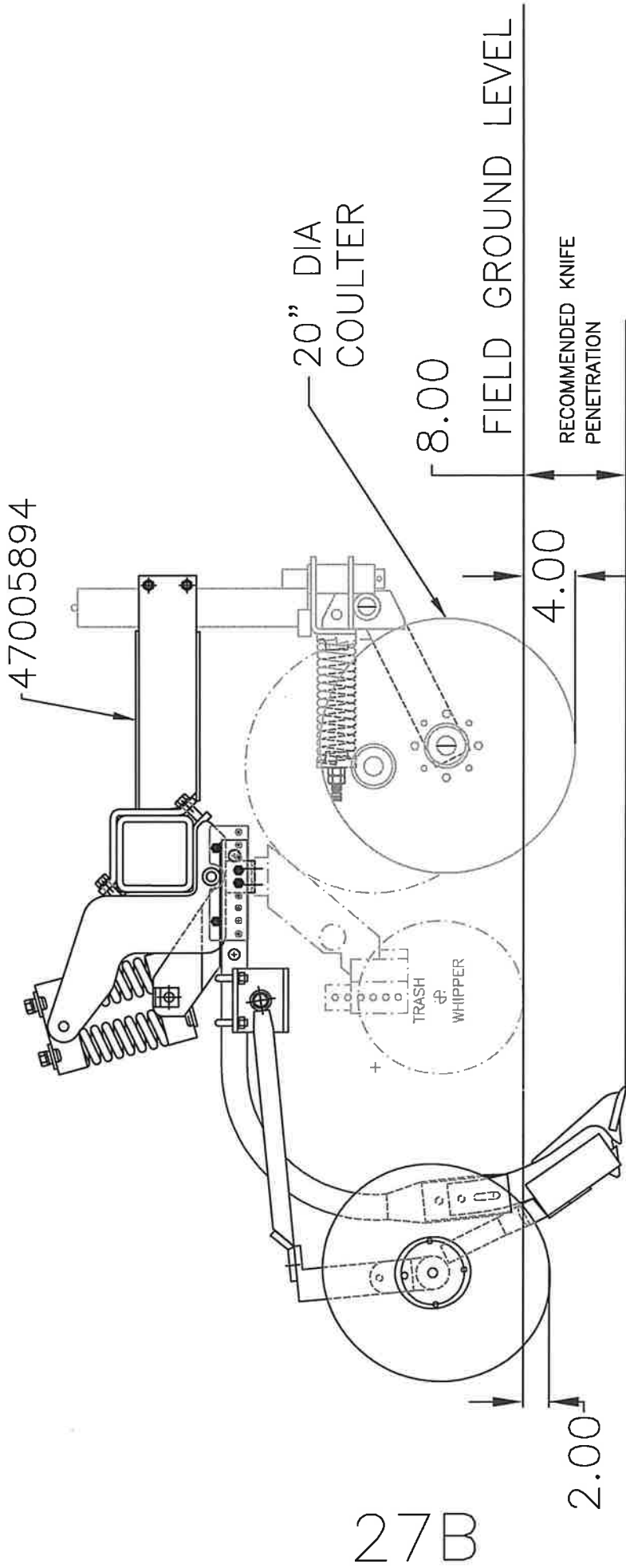
ITEM	PART NO.	DESCRIPTION	QTY
1	47013973	HI-TRIP SPRING BUNDLE COMPLETE	1
		INCLUDES ITEMS 1 TO 18 (PREASSEMBLED)	
2	47004530	MAIN BRACKET, (6 X 6 BAR)	1
	47015003	MAIN BRACKET, (7 X 7 BAR)	OR
3	47003973	SHANK PIVOT BRACKET (2014)	1
	47014541	SPRING FRAME ASSEMBLY	
		INCLUDES ITEMS 3 TO 9	
4	47004541	SPRING FRAME, BOTTOM	1
5	47004538	SPRING FRAME, TOP	1
6	47004544	SPRING RETAINER	2
7	47007565	COMPRESSION SPRING, 5/8 WIRE	2
8	47004549	SPRING CAP, TOP	2
9	47005330	SPRING CAP, BOTTOM	2
10	47004547	BOLT, 5/8-11NC, X 3 3/4 (SPECIAL)	2
11	18891600	LOCK WASHER, 5/8	2



26	47004555	SPRING BUNDLE CLAMP (6X4 HORIZ)	1
27	47004555	SPRING BUNDLE CLAMP (4X4 HORIZ)	1
28	47004553	CLAMP W/CLTR MOUNT (6X6 BAR)	1
29	47015005	CLAMP W/CLTR MOUNT (7X7 BAR)	1
30	47004557	CLAMP W/CLTR MOUNT (6X4 BAR)	1
31	47004570	CLAMP W/CLTR MNT DMI (6X4 VERT)	1
32	47005894	CLAMP 20"CLTR MNT (trashwhipper)	1
33	47007894	CLAMP 24"CLTR MNT (trashwhipper)	1
34	18057434	BOLT, 1/2-13NC, X 2 1/2 GR5	2
35	18891400	LOCK WASHER, 1/2	2
36	18417400	HEX. NUT, 1/2-13NC.	2
37	47303811	COULTER SWIVEL BAR (INCL ITEM 33)	1
38	47304522	COULTER SWIVEL BAR (SPECIAL)	1
39	18511032	SPRING PIN, 1/4 X 2 1/4 (STD)	1
40	OPTIONAL	COULTER BAR WITH RESTRICTED SWING	
		10 DEG. AND 15 DEG. AVAILABLE.	
		PLEASE CALL AG SYSTEMS FOR INFO.	
		SEE AC37 GENERATION THREE COULTER ILLUSTRATION	
41	47003977	KNIFE SHANK, 1 1/4 THK EDGE-BENT 1 (2014 AND NEWER)	1
42	KNIFE, SEE LIST OF KNIVES LISTED ON LEFT		
43	18057434	BOLT, 1/2-13NC, X 2 1/2 GR5	2
44	18891400	LOCK WASHER, 1/2	2
45	18417400	HEX. NUT, 1/2-13NC.	2
46	47995891	TRASHWHIPPER MOUNT KIT (ITEMS 39-43)	2
47	47005891	PLATE, TRASHWHIPPER MOUNTING	2
48	47005892	MOUNT CHANNEL, TRASHWHIPPER	1
49	18057147	BOLT, 7/16NC X 1 1/2 GR5 ZC	8
50	18891300	LOCKWASHER, 7/16 ZC	8
51	18437100	NUT, HEX 7/16NC ZC	8
		(with optional coulters order option item 28)	

- LIST OF KNIVES TO SUIT THIS SHANK
- 47005564 KNIFE, GOPHER W 1.5" DRY TUBE
  - 47005565 KNIFE, GOPHER DUAL-SHOOT WITH 3/8" OPEN TUBE AND 1.50" DRY TUBE
  - 47005857 KNIFE, MAG 50 DUAL-SHOOT WITH 3/8" OPEN TUBE AND 1.50" DRY TUBE





HIGH-TRIP SPRING BUNDLE 2014

47005564 KNIFE WITH EDGE-BENT SHANK

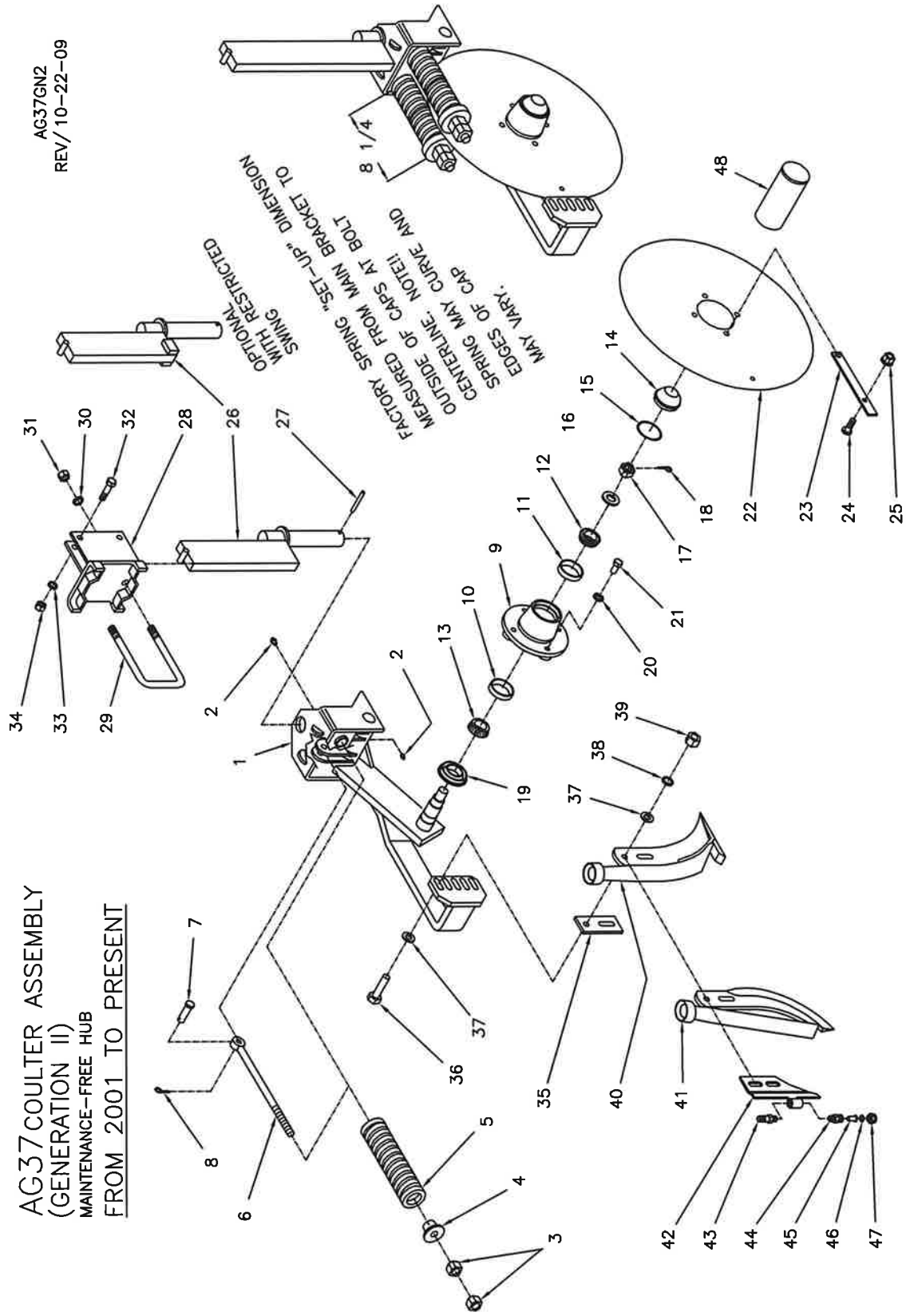
SHOWN WITH TRASHWHIPPER OPTION,

EXTENDED COULTER BRACKET OPTION,

AND OPTIONAL FLOATING ARM DISC COVERS

AG37 COULTER ASSEMBLY  
 (GENERATION II)  
 MAINTENANCE-FREE HUB  
 FROM 2001 TO PRESENT

AG37GN2  
 REV/ 10-22-09



# AG37 COULTER ASSEMBLY (GENERATION II)

## with MAINTENANCE-FREE HUB MOUNTING INSTRUCTIONS AND PARTS LIST

AG37GN2LS  
REV. 01/28/22

1. Your AG37 main bracket and hub are pre-assembled at the factory and the trip springs are pre-loaded to provide 525 pounds blade pressure. This should be adequate for normal field conditions. The coulters should trip up only when hitting a solid obstruction. During your field operation check to make sure the coulters are staying rigid most of the time. Excessive flexing will cause premature spring failure. If repeated tripping is occurring, tighten the spring tension till rigid normal operation is achieved.

2. Assemble the blade (item 22) to the hub, and (if used) the scraper (item 23) to the blade with the hardware (item 24 and item 25).

3. Assemble the swivel bar (item 26) to the main bracket (item 1). Be sure the 1 x 3 bar is positioned between the half moon stops on top of the main bracket. Install the roll pin (item 27).

4. Position the mounting brackets (item 28) at the desired spacing and fasten with the U-bolts (item 29) and hardware (items 30 and 31).

5. Install the coulters assemblies to the mounting brackets (item 28) and fasten with the bolts (item 32) and hardware (items 33 and 34).

6. Assemble the hardware snug only.

7. Adjust the coulters blade to the desired depth and tighten the hardware securely.

8. Assemble the knife (item 40 or 41) to the coulters assembly with the shims (item 35), bolts (item 36) and hardware (items 37, 38 and 39). Select and install the shims in a manner so that as you rotate the blade a complete revolution you observe that the point of the knife and the lower area of the knife is behind the blade at all times. The knife should also be set at zero clearance (see step 7). This will maintain the blade's trash cutting ability. The top of the knife should be away from the blade far enough so that the scraper can pass the top, thick part of the knife without rubbing the knife. NOTE: The bolt head should be located next to the bracket (see illustration) and any shims not needed should be placed between the backside of the bracket and the flatwasher next to the head of the bolt.

9. Adjust the knife position relative to the blade edge. The backswept knife (item 41) should be positioned to obtain maximum backsweep. Locate the upper bolt to the front of the slot and the lower bolt to the back of the slot. The forward swept knife (item 40) should be positioned as close to the blade edge as possible. Rotate the coulters blade to determine the point of maximum eccentric runout of the circumference and adjust the knife to zero clearance at this point. NOTE: The knife will have to be re-adjusted regularly.

10. Make sure all hardware is tightened securely.

11. During field operation grease the swivel bar journals weekly. And grease for end-of-season storage. Inspect the coulters blade and knife clearance daily. Adjust per step 8 if required. The coulters hub is greased-for-life and should need no regular maintenance. Check for damage to the dust cap and grease seal daily.

ITEM	PART NO.	DESCRIPTION	QTY	ITEM	PART NO.	DESCRIPTION	QTY	ITEM	PART NO.	DESCRIPTION	QTY
1	47309905	MAIN BRKT. & BLADE ASSEMBLY, L.H.	1	23	47306921	SCRAPER	1	30	18891600	LOCKWASHER, 5/8	2
2	47307705	INCLUDES ITEMS 1 TO 22	1	24	18033810	BOLT, 3/8-16NC, X 1, TRUSS HEAD	1	31	18417900	HEX. NUT, 5/8-11NC.	2
3	47109570	MAIN BRKT W/HUB ASSEMBLY, L.H.	1	25	18496800	HEX. NUT, 3/8-16NC, FLANGED	1	32	18057434	BOLT, 1/2-13NC, X 2 1/2	2
4	47109568	MAIN BRKT W/HUB ASSEMBLY, R.H. OPT.	1	26	47303811	COULTER SWIVEL BAR, 18" (INCL ITEM 27)	1	33	18891400	LOCKWASHER, 1/2	2
5	47309570	INCLUDES ITEMS 1 TO 21 (W/O BLADE)	2		47309811	COULTER SWIVEL BAR, 12" (INCL ITEM 27) OPT.	1	34	18417400	HEX. NUT, 1/2-13NC.	2
6	18901805	MAIN BRACKET, L.H. (W/O HUB OR BLADE)	2		OPTIONAL	COULTER BAR W/RESTRICTED SWING	1	35	47306661	SHIM, 1/4	1
7	18407900	GREASE ZERK, STRAIGHT	4		47005147	18" BAR 10' RESTR. SWING (BOTH WAYS)	1		47306662	SHIM, 1/8	1
8	47301530	SPRING CAP	2		47005147R	18" BAR 10' RESTR. SWING (LH ONLY)	1		18057432	BOLT, 1/2-13NC, X 2 1/4	1
9	47301524	COMPRESSION SPRING	4		47005149	18" BAR 15' RESTR. SWING (RH ONLY)	1		18891400	LOCKWASHER, 1/2	2
10	47301547	EYE BOLT, SPRING RETAINER	2		47005149L	18" BAR 15' RESTR. SWING (LH ONLY)	1		18417400	HEX. NUT, 1/2-13NC	2
11	18541428	CLEVIS PIN, 1/2 X 1 3/4	2		47005149R	18" BAR 15' RESTR. SWING (RH ONLY)	1		47309735	DRY. NUT, 1/2-13NC (FORWARD)	2
12	18560722	COTTER PIN, 5/32 X 1	2			CALL AG SYSTEMS FOR INFO.	1		47309734	DRY. NUT, W/O BUSHING, (FORWARD)	1
13	47300350	HUB COMPLETE (W/O SEAL & BOLTS)	2		18511032	ROLL PIN, 1/4 X 2 1/4	1		47007462	LIQUID KNIFE, (FORWARD)	1
14	47300351	INCLUDES ITEMS 9 TO 15	1	27	47309893	MOUNTING BRACKET, (4" VERTICAL) STD.	1		47007468	LIQUID KNIFE, (FORWARD)	1
15	47009510	BEARING CUP, INNER	1	28	47006951	U-BOLT, 5/8-11NC. (4" V X 6" H BAR)	1		47309748	DRY. KNIFE, W/BUSHING, (BACKSWEEP)	1
16	47005048	BEARING CUP, OUTER	1	29	44001616	U-BOLT, 5/8-11NC. (4" V X 4" H BAR)	1		47309759	DRY. KNIFE, W/O BUSHING, (BACKSWEEP)	1
17	47005048	BEARING CONE, OUTER	1		OTHER MOUNTING BRACKET OPTIONS				47309750	LIQUID KNIFE, (BACKSWEEP)	1
18	47005513	BEARING CONE, INNER	1	28	47309887	MOUNTING BRKT., (2 1/2" VERTICAL)	1		47309838	NOZZLE BRACKET	1
19	47005513	DUST CAP	1	29	47309877	MOUNTING BRKT., (3" VERT., EXT.)	1		100859	HOSEBAR, S.S. 1/4 NPT. X 1/2 TUBE	1
20	47980351	O-RING DUST SEAL	1	28	47309868	MOUNTING BRKT., (6" VERTICAL)	1		500192	ADAPTER	1
21	47300352	SPINDLE WASHER	1	29	47309873	MOUNTING BRKT., (3" VERTICAL)	1		504015	STREAM STABILIZER	1
22	47300353	SLOTTED NUT, 7/8-14UNF	1	28	47309877	MOUNTING BRKT., (3" VERT., EXT.)	1		503127	CAP	1
23	47300352	COTTER PIN, 5/32 X 1 1/2	1	29	47309868	MOUNTING BRKT., (6" VERTICAL)	1		47005500	DUST CAP INSTALLATION TOOL (OPTIONAL)	1
24	40030326	GREASE SEAL	1	28	470010154	U-BOLT, 5/8-11NC. (6" V X 4" H BAR)	1				
25	18891400	LOCK WASHER, 1/2 I.D.	4	29	47009847	U-BOLT, 5/8-11NC. (6" V X 6" H BAR)	1				
26	18057522	WHEEL BOLT, 1/2-20NF X 1	4	28	47302736	MOUNTING BRKT., (7" VERTICAL)	1				
27	47305027	COULTER BLADE, 20" RIPPLED	1	29	47302730	U-BOLT, 1/2-13NC. (7" V X 7" H BAR)	1				

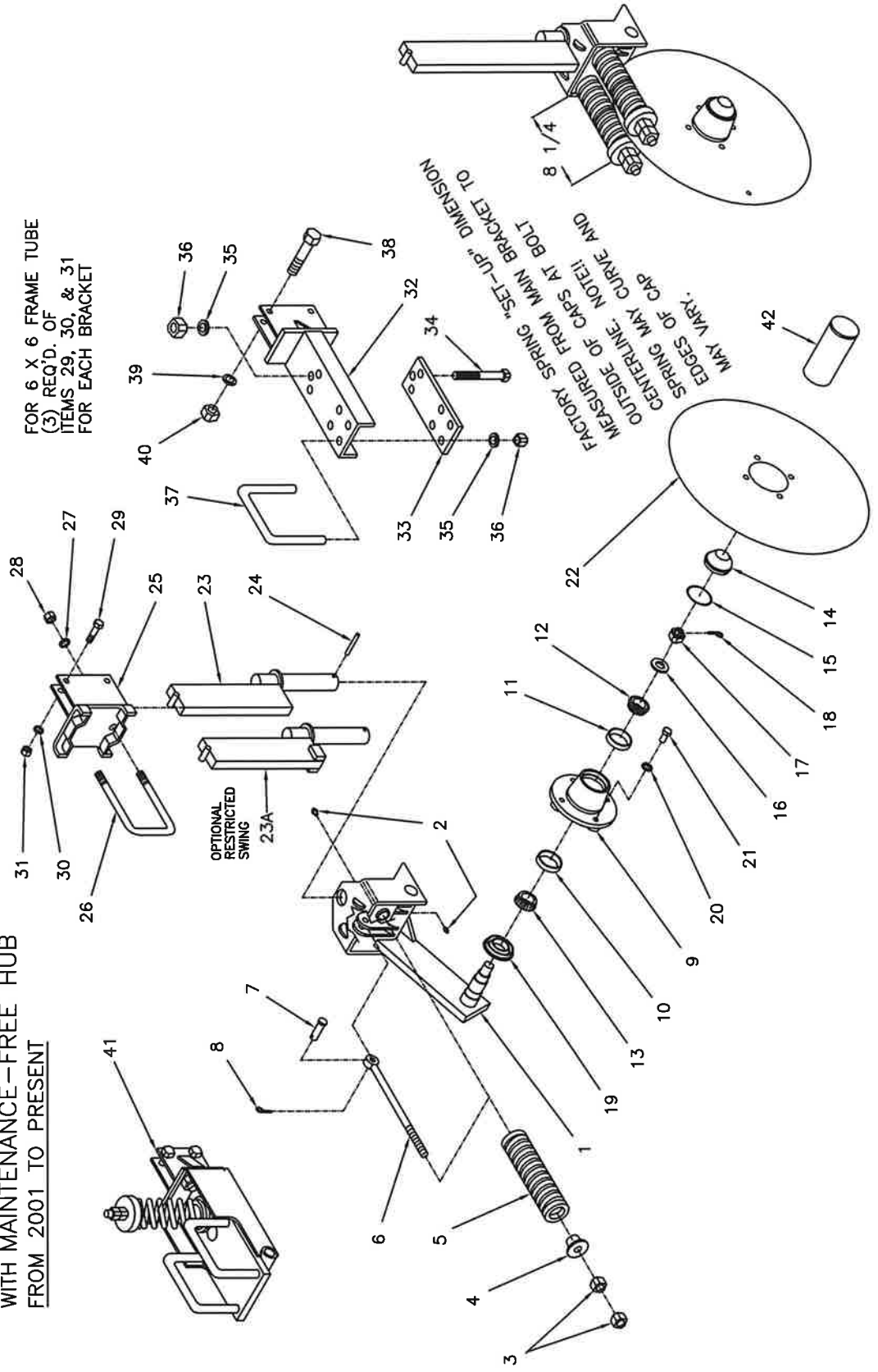
REF 47300300 SPINDLE ONLY

# AG38 COULTER ASSEMBLY

GENERATION II  
 WITH MAINTENANCE-FREE HUB  
 FROM 2001 TO PRESENT

AG38GN2  
 REV 10-22-09

FOR 6 X 6 FRAME TUBE  
 (3) REQ'D. OF  
 ITEMS 29, 30, & 31  
 FOR EACH BRACKET



**AG38 COULTER ASSEMBLY (GENERATION II)**  
 with MAINTENANCE-FREE HUB  
 MOUNTING INSTRUCTIONS AND PARTS LIST

AG38GN2LS  
 REV.01/28/22

1. Your AG38 main bracket and hub are pre-assembled at the factory, and the trip springs are pre-loaded to provide 525 pounds blade pressure. This should be adequate for normal field conditions. The coultter arm should trip up only when hitting a solid obstruction. During your field operation check to make sure the coultter arm is staying rigid most of the time. Excessive flexing will cause premature spring failure. If repeated tripping is occurring tighten the spring tension till rigid operation is achieved.
2. Assemble the blade (item 22) to the hub.
3. Assemble the swivel bar (item 23) to the main bracket (item 1). Make sure that the 1 x 3 flat bar is positioned between the half moon stops on top of the main bracket. Install the roll pin (item 24).
4. Position the mounting brackets (item 25) at the desired spacing and fasten with the u-bolts (item 26) and hardware (item 27 and item 28).
5. Install the coultter assemblies to the mounting brackets (item 25) and fasten with the bolts (item 29) and hardware (item 30 and item 31). Assemble the hardware snug only.
6. Adjust the coultter blade to the desired depth and tighten the hardware securely.
7. Make sure "all" hardware is tightened securely.
8. During field operation grease the swivel bar journals weekly. And grease for end-of-season storage. The coultter hub is greased-for-life and should need no regular maintenance. Check for damage to the dust cap and grease seal daily.

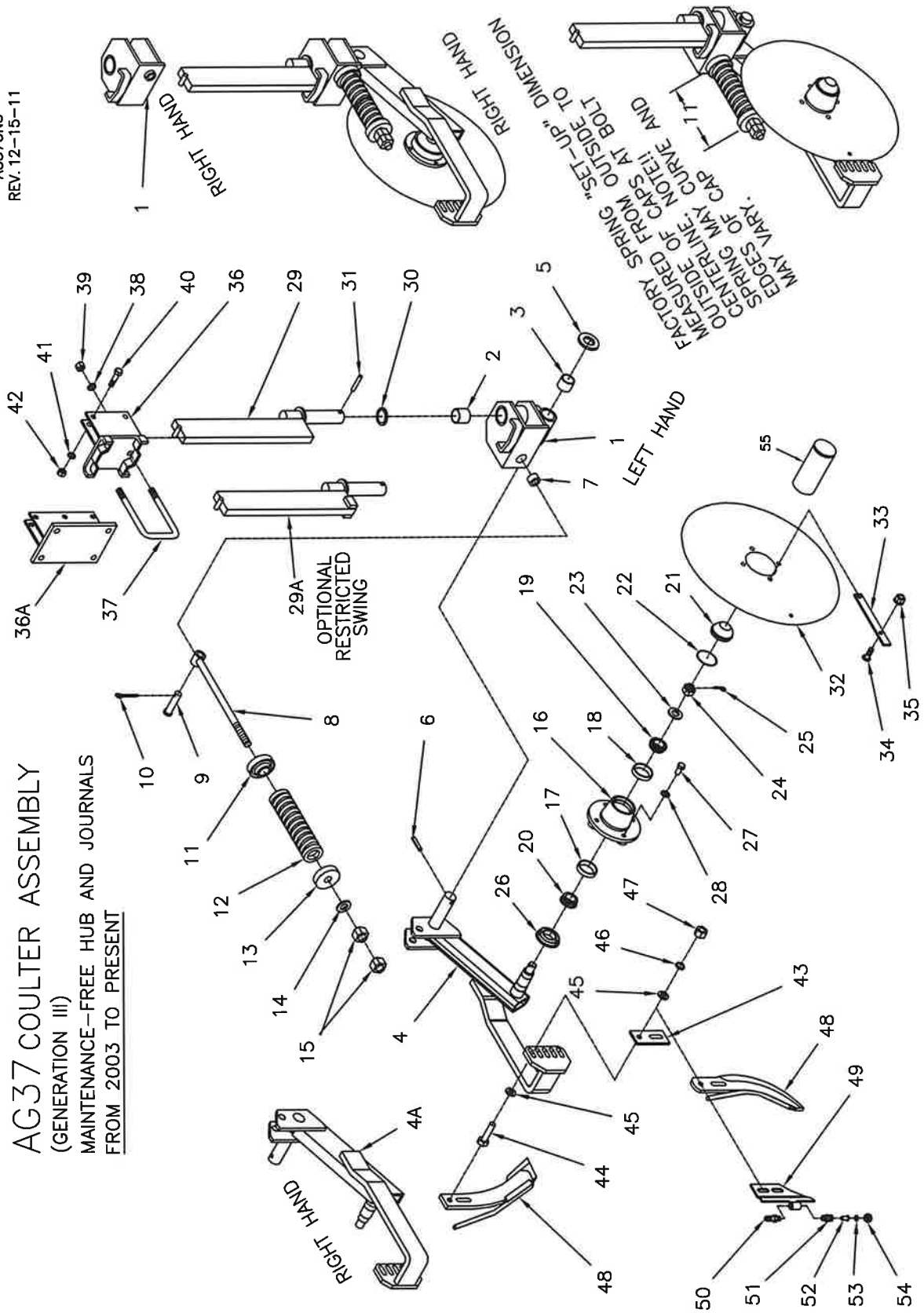
31

ITEM	PART NO.	DESCRIPTION	QTY	ITEM	PART NO.	DESCRIPTION	QTY	ITEM	PART NO.	DESCRIPTION	QTY
1	47308805	MAIN BRKT. & BLADE ASSEMBLY	1	24	18511032	ROLL PIN, 1/4 X 2 1/4	1	32	47309370	SHANK HOLDER, (1 X 2 KNIFE SHANK)	1
2	47108572	INCLUDES ITEMS 1 TO 22	1	25	47309893	MOUNTING BRACKET, (4" VERTICAL)	1	33	47006832	BOLT, 5/8-11NC, X 3	1
3	473098572	MAIN BRKT. W/HUB ASSEMBLY	1	26	47008951	U-BOLT, 5/8-11NC, (4" V X 6" H BAR)	1	34	18057938	LOCKWASHER, 5/8	5
4	18901805	INCLUDES ITEMS 1 TO 21 (W/O BLADE)	1	27	44001616	OTHER MOUNTING BRACKET OPTIONS	1	35	18891600	HEX. NUT, 5/8-11NC.	5
5	47301530	MAIN BRACKET	2	28	47009987	MOUNTING BRACKET, (2 1/2" VERTICAL)	1	36	18417900	U-BOLT, 5/8-11NC.	2
6	47301524	GREASE ZERK, STRAIGHT	2	29	47006659	U-BOLT, 5/8-11NC, (2 1/2" V X 2 1/2" H BAR)	1	37	47006950	U-BOLT, 5/8-11NC. (6 X 4 TUBE)	2
7	18941428	SPRING CAP	2	30	47309732	MOUNTING BRACKET, (3" VERTICAL) STD.	1	38	47009847	U-BOLT, 5/8-11NC. (6 X 6 TUBE)	2
8	47300350	CLEVIS PIN, 1/2 X 1 3/4	2	31	47309907	MOUNTING BRKT., (3" VERT., EXT.)	1	39	18057434	BOLT, 1/2-13NC, X 2 1/2	2
9	47300351	COULTER PIN, 5/32 X 1	1	32	47306677	U-BOLT, 5/8-11NC. (3" V X 3" H BAR)	1	40	18417400	LOCKWASHER, 1/2	2
10	47005510	HUB COMPLETE (W/O SEAL & BOLTS)	1	33	47309888	MOUNTING BRACKET, (6" VERTICAL)	1	41	47039413	SEE SEPARATE ILLUSTRATION FOR SPRING BUNDLE PARTS	1
11	47005010	INCLUDES ITEMS 9 TO 15	1	34	47010154	U-BOLT, 5/8-11NC. (6" V X 4" H BAR)	1	OR	47009661	SPRING BUNDLE COMPLETE (1 SPRING) OPT.	1
12	47005048	BEARING CUP, INNER	1	35	47009847	U-BOLT, 5/8-11NC. (6" V X 6" H BAR)	1	WITH	47029417	SPRING BUNDLE COMPLETE (2 SPRINGS)	1
13	47005548	BEARING CUP, OUTER	1	36	47309736	MOUNTING BRACKET, (7" VERTICAL)	1				
14	47005513	BEARING CONE, INNER	1	37	47302730	MOUNTING BRACKET, (7" V X 7" H BAR)	1				
15	47990351	DUST CAP	1	38	NOTE FOR 7" U-BOLT USE 1/2-13NC. HEX. NUTS		2				
16	47300352	O-RING DUST SEAL	1	39	18891600	LOCKWASHER, 5/8	2				
17	47300353	SPINDLE WASHER	1	40	18417900	HEX. NUT, 5/8-11NC.	2				
18	18560724	SLOTTED NUT, 7/8-14UNF.	1	41	18057434	BOLT, 1/2-13NC, X 2 1/2	2				
19	40030326	GREASE SEAL	1	42	18891400	LOCKWASHER, 1/2	2				
20	18891400	LOCKWASHER, 1/2	4								
21	18057522	WHEEL BOLT, 1/2-20NF, X 1	4								
22	47305027	COULTER BLADE, 20" RIPPLED	1								
23	47303811	COULTER SWIVEL BAR, 18" (INCL ITEM 24)	1								
OPTIONAL	47303811	COULTER SWIVEL BAR, 12" (INCL ITEM 24)	1								
OPTIONAL	47303811	COULTER BAR W/RESTRICTED SWING	1								
		10 DEG. AND 15 DEG. AVAILABLE									
		18" BAR 10" RESTR. SWING (BOTH WAYS)									

REF 47300300 SPINDLE ONLY

AG37GN3  
REV. 12-15-11

AG37 COULTER ASSEMBLY  
(GENERATION III)  
MAINTENANCE-FREE HUB AND JOURNALS  
FROM 2003 TO PRESENT



AG37 COULTER ASSEMBLY (GENERATION III)

MAINTENANCE-FREE HUB AND JOURNALS  
MOUNTING INSTRUCTIONS AND PARTS LIST

1. Your AG37 Gen III main bracket and hub are pre-assembled at the factory and the trip spring is preloaded to provide 600 pounds blade pressure. This should be adequate for normal field conditions. The coulters should trip up only when hitting a solid obstruction. During your field operation check to make sure the coulters are staying rigid most of the time. Excessive flexing will cause premature spring failure. If repeated tripping is occurring, tighten the spring tension till rigid normal operation is achieved.

2. Assemble the blade (item 32) to the hub, and (if used) the scraper (item 33) to the blade with the hardware (items 34 & 35).

3. Assemble the swivel bar (item 29) to the bracket assembly. Be sure the swivel bar is positioned between the swivel control lugs on top of the main bracket. Install the washer (item 30) and pin (item 31).

4. Position the mounting bracket (item 36) at the desired spacing and fasten with the u-bolts (item 40) and hardware (items 38 and 39).

5. Install the coulters assemblies in the mounting brackets (item 36) and fasten with the bolts (item 40) and hardware (items 41 and 42). Assemble the hardware snug only.

6. Adjust the coulters blade to the desired depth and tighten the hardware securely.

7. Assemble the knife (item 48) to the coulters assembly with the shims (item 43), bolts (item 44) and hardware (items 45, 46 and 47). Select and install the shims in a manner so that as you rotate the blade a complete revolution you see that the point of the knife and the lower area of the knife is behind the blade at all times. The backsept knife should be positioned to obtain maximum backswep. Locate the upper bolt to the front of the slot and the lower bolt to the back of the slot. Note, the bolt head should be located next to the bracket (see illustration) and any shims not needed should be placed between the back side of the bracket and the flat washer next to the head of the bolt.

8. The front swept knife should be positioned as close to the blade edge as possible. Zero clearance. This will maintain the blade's trash cutting ability. Rotate the coulters blade to determine the point of maximum eccentric runout of the circumference and adjust the knife to zero clearance at this point. The top of the knife should be away from the blade far enough so that the scraper can pass the top, thick part, of the knife without rubbing the knife. NOTE: The knife position should be inspected frequently and re-adjusted regularly.

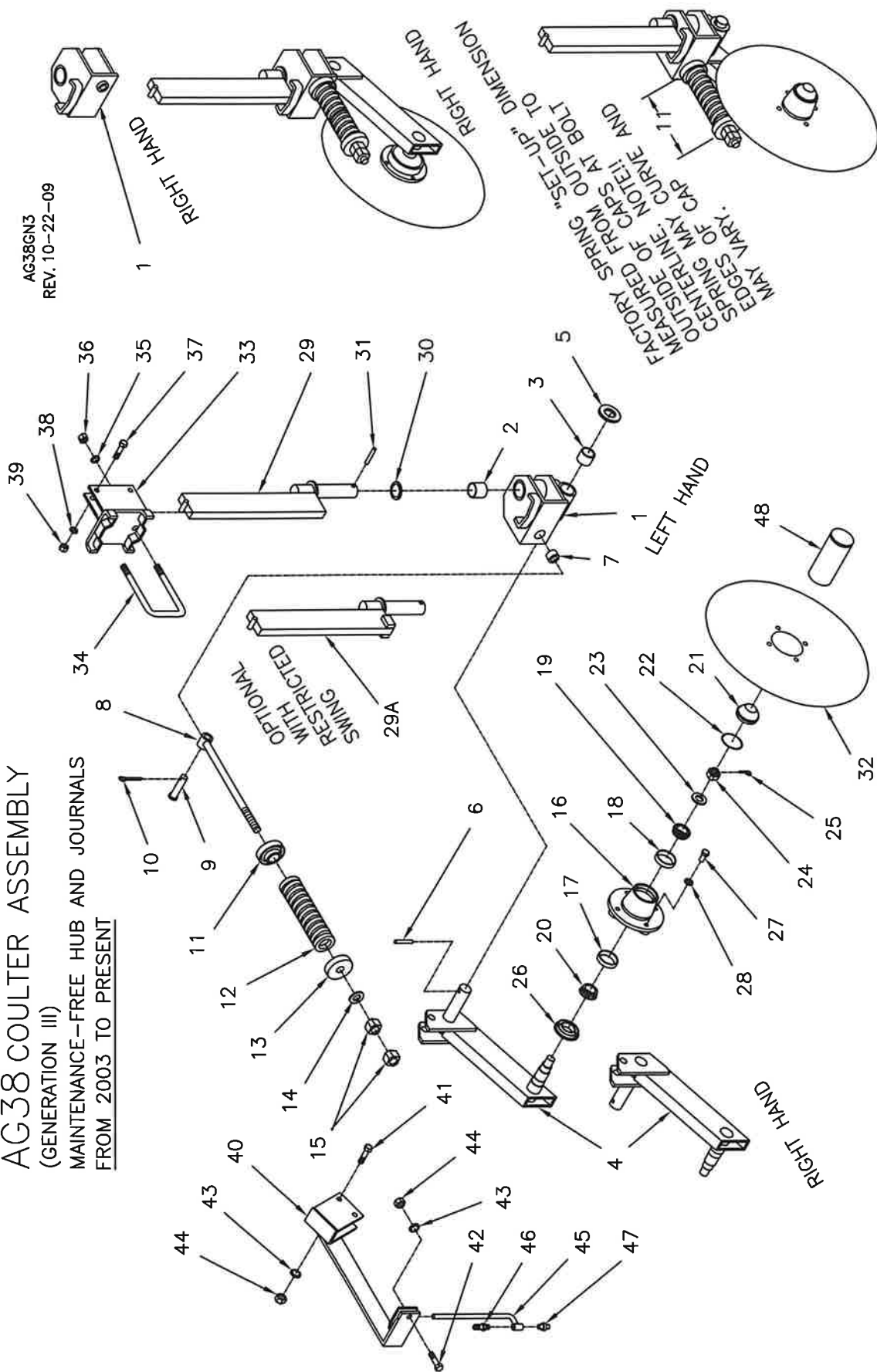
9. Make sure all hardware is tightened securely.

10. No field operation lubricating is required. The hubs are sealed and greased for life. The swivel journals are assembled with grease-less bushings. For repair procedure, see separate sheet titled PROCEDURE TO SERVICE A COULTER HUB.

REF 47300300 SPINDLE ONLY

ITEM	PART NO.	DESCRIPTION	QTY	ITEM	PART NO.	DESCRIPTION	QTY
1	40330000	MAIN BRKT. & BLADE, L.H. (STANDARD)	1	37	47001054	U-BOLT, 5/8-11NC. (6" X 4" H BAR)	1
2	40351000	MAIN BRKT. & BLADE, RIGHT HAND	OPT.	38	47009847	U-BOLT, 5/8-11NC. (6" X 6" H BAR)	2
3	47304500	INCLUDES ITEMS 1 TO 32	1	39	47309736	MOUNTING BRACKET (7" VERTICAL)	4
4	47314500	MAIN BRKT. W/HUB, RIGHT HAND	OPT.	40	47302730	U-BOLT, 1/2-13NC. (7" X 7" H BAR)	2
5	47004500	INCLUDES ITEMS 1 TO 31 (W/O BLADE)	1	41	18891400	LOCKWASHER, 1/2	4
6	47014500	HOUSING W/BUSHINGS, L.H. (STD)	1	42	18417400	HEX. NUT, 1/2-13NC	2
7	47009954	HOUSING W/BUSHINGS, RIGHT HAND	OPT.	43	18891600	LOCKWASHER, 5/8	2
8	47009953	SWIVEL BUSHING, 1 1/2 I.D.	2	44	18417900	HEX. NUT, 5/8-11NC.	2
9	47004507	PIVOT BUSHING, 1 3/8 I.D.	2	45	18057434	BOLT, 1/2-13NC. X 2 1/2	2
10	47014507	PIVOT ARM, R.H. FRONT SWEPT KNIFE	1	46	18891400	LOCKWASHER, 1/2	2
11	47014507	PIVOT ARM, L.H. FRONT SWEPT KNIFE	OPT.	47	18417400	HEX. NUT, 1/2-13NC.	2
12	18300326	RETAINING WASHER, 1 3/8 I.D.	1	48	47309742	LIQUID KNIFE, (FRONTSWEPT)	1
13	18511035	EXPANSION PIN, 3/8 X 2	1	49	47309038	NOZZLE BRACKET (L.H) (STANDARD)	1
14	2-6668	EYE BOLT GUIDE	1	50	47997038	HOSEBAR, S.S. 1/4 NPT. X 1/2 TUBE	1
15	47004518	EYE BOLT, SPRING RETAINER	1	51	100859	ADAPTER	1
16	18541835	GLEVIS PIN, 3/4 X 2 1/2	1	52	504015	STREAM STABILIZER	1
17	18560726	COTTER PIN, 5/32 X 1 1/2	1	53	ORIFICE	SELECT FROM ORIFICE CHART	1
18	47004521	SPRING CAP, WITH COUNTER-BORE	1	54	503127	CAP	1
19	47007565	COMPRESSION SPRING	1	55	47005500	DUST CAP INSTALLATION TOOL (OPTIONAL)	1
20	47007085	SPRING CAP, STANDARD CASTING	1				
21	18851800	FLAT WASHER, 3/4	1				
22	18446890	HEX. NUT, 3/4-10NC	1				
23	47300350	HUB COMPLETE (W/O SEAL & BOLTS)	1				
24	47300351	HUB WITH BOLTS	1				
25	47005010	BEARING CUP, INNER	1				
26	47005010	BEARING CUP, OUTER	1				
27	47005048	BEARING CONE, OUTER	1				
28	47005048	BEARING CONE, OUTER	1				
29	47005548	BEARING CONE, INNER	1				
30	47005548	BEARING CONE, INNER	1				
31	47005548	BEARING CONE, INNER	1				
32	47005548	BEARING CONE, INNER	1				
33	47005548	BEARING CONE, INNER	1				
34	47005548	BEARING CONE, INNER	1				
35	47005548	BEARING CONE, INNER	1				
36	47005548	BEARING CONE, INNER	1				
37	47005548	BEARING CONE, INNER	1				
38	47005548	BEARING CONE, INNER	1				
39	47005548	BEARING CONE, INNER	1				
40	47005548	BEARING CONE, INNER	1				
41	47005548	BEARING CONE, INNER	1				
42	47005548	BEARING CONE, INNER	1				
43	47005548	BEARING CONE, INNER	1				
44	47005548	BEARING CONE, INNER	1				
45	47005548	BEARING CONE, INNER	1				
46	47005548	BEARING CONE, INNER	1				
47	47005548	BEARING CONE, INNER	1				
48	47005548	BEARING CONE, INNER	1				
49	47005548	BEARING CONE, INNER	1				
50	47005548	BEARING CONE, INNER	1				
51	47005548	BEARING CONE, INNER	1				
52	47005548	BEARING CONE, INNER	1				
53	47005548	BEARING CONE, INNER	1				
54	47005548	BEARING CONE, INNER	1				
55	47005548	BEARING CONE, INNER	1				

AG38 COULTER ASSEMBLY  
 (GENERATION III)  
 MAINTENANCE-FREE HUB AND JOURNALS  
 FROM 2003 TO PRESENT





**AG-38 COULTER ASSEMBLY (GENERATION III)**

AG386N3LS  
REV. 01/28/22

with **MAINTENANCE-FREE HUB**  
**MOUNTING INSTRUCTIONS AND PARTS LIST**

- Your AG38 main bracket and hub are pre-assembled at the factory, and the trip springs are pre-loaded to provide 600 pounds blade pressure. This should be adequate for normal field conditions. The coulters arms should trip up only when hitting a solid obstruction. During your field operation check to make sure the coulters arm is staying rigid most of the time. Excessive flexing will cause premature spring failure. If repeated tripping is occurring tighten the spring tension till rigid operation is achieved.
- Assemble the blade (item 32) to the hub.
- Assemble the swivel bar (item 29) to the main bracket (item 1). Make sure that the 1 x 3 flat bar is positioned between the u-bracket stop on top of the main bracket. Install the washer (item 30) and roll pin (item 31).
- Position the mounting brackets (item 33) at the desired spacing and fasten with the u-bolts (item 34) and hardware (item 35 and item 36).
- Install the coulters assemblies to the mounting brackets (item 33) and fasten with the bolts (item 37) and hardware (item 38 and item 39). Assemble the hardware snug only.
- Adjust the coulters blade to the desired depth and tighten the hardware securely.
- Make sure "all" hardware is tightened securely.
- No. field operation lubrication is required. The hubs are sealed and greased for life. The swivel journals are assembled with grease-less bushings. For repair procedure, see separate sheet titled PROCEDURE TO SERVICE A COULTER HUB.

ITEM	PART NO.	DESCRIPTION	QTY	ITEM	PART NO.	DESCRIPTION	QTY	ITEM	PART NO.	DESCRIPTION	QTY
1	40350001	MAIN BRKT. & BLADE, L.H. (STANDARD)	1	21	47005513	DUST CAP	1	37	18057434	BOLT, 1/2-13NC. X 2 1/2	2
2	40351011	MAIN BRKT. & BLADE, RIGHT HAND	OPT	22	47990351	O-RING DUST SEAL	1	38	18891400	LOCKWASHER, 1/2	2
3	47304508	INCLUDES ITEMS 1 TO 32	1	23	47300352	SPINDLE WASHER	1	39	18417400	HEX. NUT, 1/2-13NC.	2
4	47009954	MAIN BRKT. W/HUB, L.H. (STANDARD)	1	24	47300353	SLOTTED NUT, 7/8-1AUNF	1	ITEMS 37, 38, & 39, (3) REQ'D. WITH (6" BAR, VERT.)			
5	47004508	MAIN BRKT. W/HUB, R.H. (STANDARD)	1	25	18560726	COTTER PIN, 5/32 X 1 1/2	1	47995062	HI-PRESSURE NOZZLE BRKT. COMPLETE		1
6	47014500	INCLUDES ITEMS 1 TO 31 (W/O BLADE)	1	26	40030326	GREASE SEAL	1	INCLUDES ITEMS 40 TO 45			
7	47009953	HOUSING W/BUSHINGS, L.H. (STD.)	1	27	18057522	WHEEL BOLT, 1/2-20NF. X 1	4	40	47015062	MOUNTING BRACKET	1
8	47004521	HOUSING W/BUSHINGS, R.H. (STD.)	1	28	18891400	COULTER SWIVEL BAR, 18"	4	41	18057434	BOLT, 1/2-13NC. X 2 1/2	2
9	47009954	PIVOT BUSHING, 1 1/2 I.D.	2	29	47304522	OPTIONAL	1	42	18057430	BOLT, 1/2-13NC. X 2	1
10	47004508	PIVOT ARM, L.H. STANDARD	1	29A	47005144	18" BAR 10" RESTR. SWING BOTH WAYS	1	43	18891400	LOCK WASHER, 1/2	3
11	47014508	PIVOT ARM, R.H. STANDARD	1		47005144R	18" BAR 10" RESTR. SWING LH ONLY	1	44	18417400	HEX. NUT, 1/2-13NC.	3
12	18500326	RETAINING WASHER, 1 3/8 I.D.	1		47005145	18" BAR 15" RESTR. SWING BOTH WAYS	1	45	47008501	NOZZLE BAR	1
13	2-6668	EXPANSION PIN, 3/8 X 2	1		47005145L	18" BAR 15" RESTR. SWING RH ONLY	1	46	100859	HOSEBAR, 1/4P X 1/2T	1
14	18541835	EYE BOLT, SPRING RETAINER	1		47005145R	18" BAR 15" RESTR. SWING RH ONLY	1	47	504017	NOZZLE BODY ASSEMBLY	1
15	18560726	CLEVIS PIN, 3/4 X 2 1/2	1			CALL AG SYSTEMS FOR INFO.					
16	47004521	SPRING CAP, WITH COUNTER-BORE	1	30	18300323	RETAINING WASHER, 1 1/2 I.D.	1	48	47005500	DUST CAP INSTALLATION TOOL (OPTIONAL)	1
17	47007565	SPRING CAP, STANDARD CASTING	1	31	18511036	EXPANSION PIN, 3/8 X 2 1/4	1				
18	47007085	SPRING CAP, STANDARD CASTING	1	32	47305027	COULTER BLADE, 20" RIPPLED	1				
19	18446890	FLAT WASHER, 3/4	2	33	47309889	MOUNTING BRACKET, (4" VERTICAL) STD.	1				
20	47300350	HUB COMPLETE (W/O SEAL & BOLTS)	1	34	47008951	U-BOLT, 5/8-11NC. (4V X 6" HORIZ BAR)	2				
16	47300351	HUB COMPLETE (W/O SEAL & BOLTS)	1		44001616	U-BOLT, 5/8-11NC. (4V X 4" HORIZ BAR)	2				
17	47005510	HUB WITH CUPS INNER	1		47309888	MOUNTING BRACKET, (6" VERTICAL)	1				
18	47005010	BEARING CUP, INNER	1	35	47101054	U-BOLT, 5/8-11NC. (6V X 4" HORIZ BAR)	2				
19	47005048	BEARING CUP, OUTER	1		47009847	U-BOLT, 5/8-11NC. (6V X 6" HORIZ BAR)	2				
20	47005548	BEARING CONE, OUTER	1	36	18891600	LOCKWASHER, 5/8	2				
		BEARING CONE, INNER	1		18417900	HEX. NUT, 5/8-11NC.	2				

REF 47300300 SPINDLE ONLY

**PROCEDURE TO SERVICE A COULTER HUB  
"MAINTENANCE-FREE" HUB**

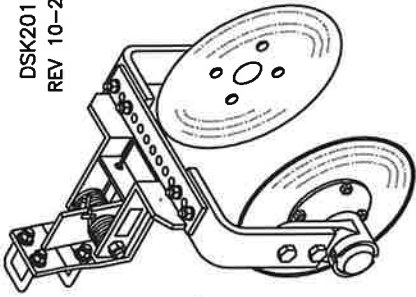
The factory procedure to assemble the coultter hub has been developed to obtain maximum life and to eliminate damage to the components. IT IS IMPORTANT to understand and follow this procedure when servicing the coultter hub. If possible, obtain an illustration of the coultter before proceeding.

ASSEMBLE THE COULTER HUB AS FOLLOWS.

- 1: Pre-pack the inner bearing cone with grease and insert it into the back of the hub.
- 2: Add grease to cover the back of the bearing and cup. CAUTION – CAUTION : Do not "fill" the back of the hub with grease. Do not get any grease on the sealing seat for the grease seal. The seal is treated with a sealing agent and grease or oil on the sealing surface will destroy the effectiveness of the seal. If there is any grease on the sealing surface in the hub wipe it with a degreasing agent.
- 3: Carefully insert the grease seal. Do not get any grease on the outer sealing surface of the seal. Tap or press the seal in place. Make sure the seal is entering and seating squarely.
- 4: Turn the hub over and fill the center cavity with grease. Pre-pack the outer bearing with grease and insert it into the hub.
- 5: Position the hub on the spindle and install the spindle washer and the slotted nut.
- 6: Rotate the hub by hand while tightening the slotted nut until the hub locks-up. This will align and seat the bearing rollers. Back off the nut until you can freely rotate the hub by hand and install the cotter pin. Bend the ends of the cotter pin "down" only. Not one half up and one half down.
- 7: Completely fill the front cavity of the hub with grease.
- 8: Inspect the hub to make sure it is properly assembled and then install the dust cap.  
CAUTION: Once the dust cap is installed it cannot be removed without destroying it. Take care to be sure the dust cap is square to the bore when starting and seating it. An old dust cap or a piece of tubing with the right I. D. and O. D. may be helpful.
- 9: You may now assemble the coultter blade. During field operation check the coultter blade periodically for wobble. This could be a result of hitting rocks and/or normal wear. Re-adjust the bearing tension (see step 6). Wobble in the hub could damage the seal and cause bearing failure. Note that you will need to install a new dust cap after a bearing adjustment. REVIEW step 8.

SRVCLTRHUB

DSK201X13  
REV 10-22-09

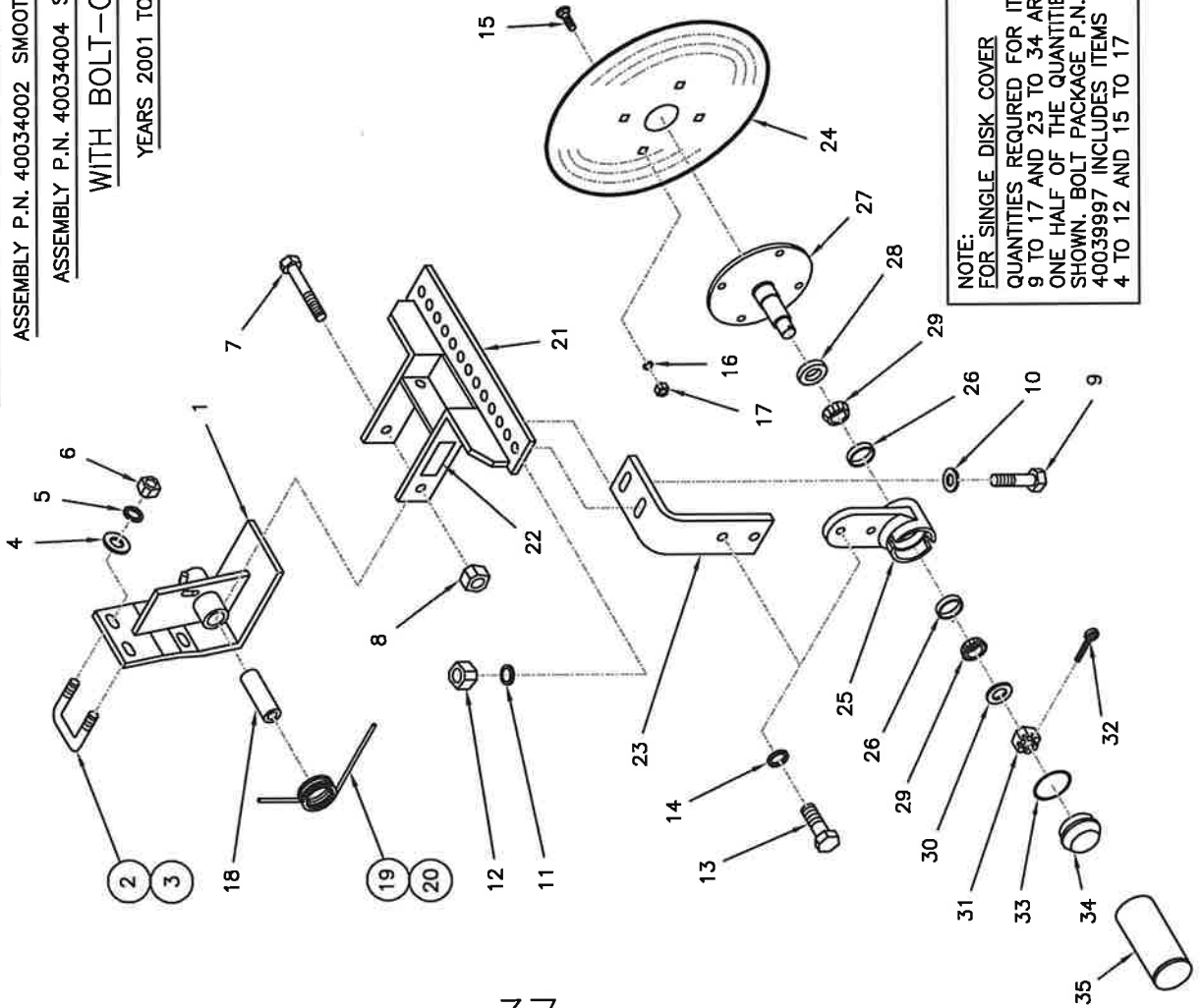


**DISC COVER SEALER SPRING LOADED**

ASSEMBLY P.N. 40034002 SMOOTH 13" DISC DOUBLE DISC  
ASSEMBLY P.N. 40034004 SMOOTH 13" DISC SINGLE DISC

WITH BOLT-ON HUB

YEARS 2001 TO PRESENT



**NOTE:**  
FOR SINGLE DISK COVER  
QUANTITIES REQUIRED FOR ITEMS  
9 TO 17 AND 23 TO 34 ARE  
ONE HALF OF THE QUANTITIES  
SHOWN. BOLT PACKAGE P.N.  
40039997 INCLUDES ITEMS  
4 TO 12 AND 15 TO 17

ITEM	PART NO.	DESCRIPTION	QTY.
1	47008367	MOUNTING BRACKET	1
2	47008396	U-BOLT, 1/2-13NC. 2 in. SHANK	2
3	47008397	U-BOLT, 1/2-13NC. 1 1/4 in. SHANK	2
4	18811400	FLATWASHER, 1/2	4
5	18891400	LOCKWASHER, 1/2	4
6	18417400	HEX. NUT, 1/2-13NC.	4
7	18057956	BOLT, 5/8-11NC. X 5 1/2	1
8	18457900	HEX. LOCKNUT, 5/8-11NC.	1
9	18057430	BOLT, 1/2-13NC. X 2	4
10	18811400	FLATWASHER, 1/2	4
11	18891400	LOCKWASHER, 1/2	4
12	18417400	HEX. NUT, 1/2-13NC.	4
13	18057523	BOLT, 1/2-20NF. X 1 1/4	4
14	18891400	LOCKWASHER, 1/2	4
15	18176450	CARRIAGE BOLT, 3/8-16NC. X 1	8
16	18891200	LOCKWASHER, 3/8	8
17	18436800	HEX. NUT, 3/8-16NC.	8
18	47009340	INNER BUSHING	1
19	47008375	TORSION SPRING, L.H.	1
20	47008376	TORSION SPRING, R.H.	1
21	47019309	DISC ARM FRAME	1
22	97445302	DECAL, "AG SYSTEMS" SMALL	1
23	47019620	DISC ARM	2
24	44501310	DISC BLADE, 13 INCH DIA.	2
25	47109558	HUB ASSEMBLY COMPLETE	2
26	47009558	INCLUDES ITEMS 13 & 14 & 25 TO 34	2
27	10658	HUB WITH CUPS ITEM 26	2
28	47009328	BEARING CUP	4
29	40030325	SPINDLE WITH FLANGE	2
30	10659	GREASE SEAL	2
31	18841800	BEARING CONE	4
32	18486600	FLATWASHER, 3/4 SAE (1 1/2 O.D.)	2
33	18560722	SLOTTED NUT, 3/4-16NF.	2
34	47999558	COTTER PIN, 5/32 X 1	2
35	47005911	O-RING DUST SEAL	2
	40039999	DUST CAP	2
	47005502	BOLT PACKAGE, INCLUDES ITEMS- 4 TO 6, 8 TO 12, AND 15 TO 17	1
		DUST CAP, INSTALLATION TOOL (OPTIONAL)	1

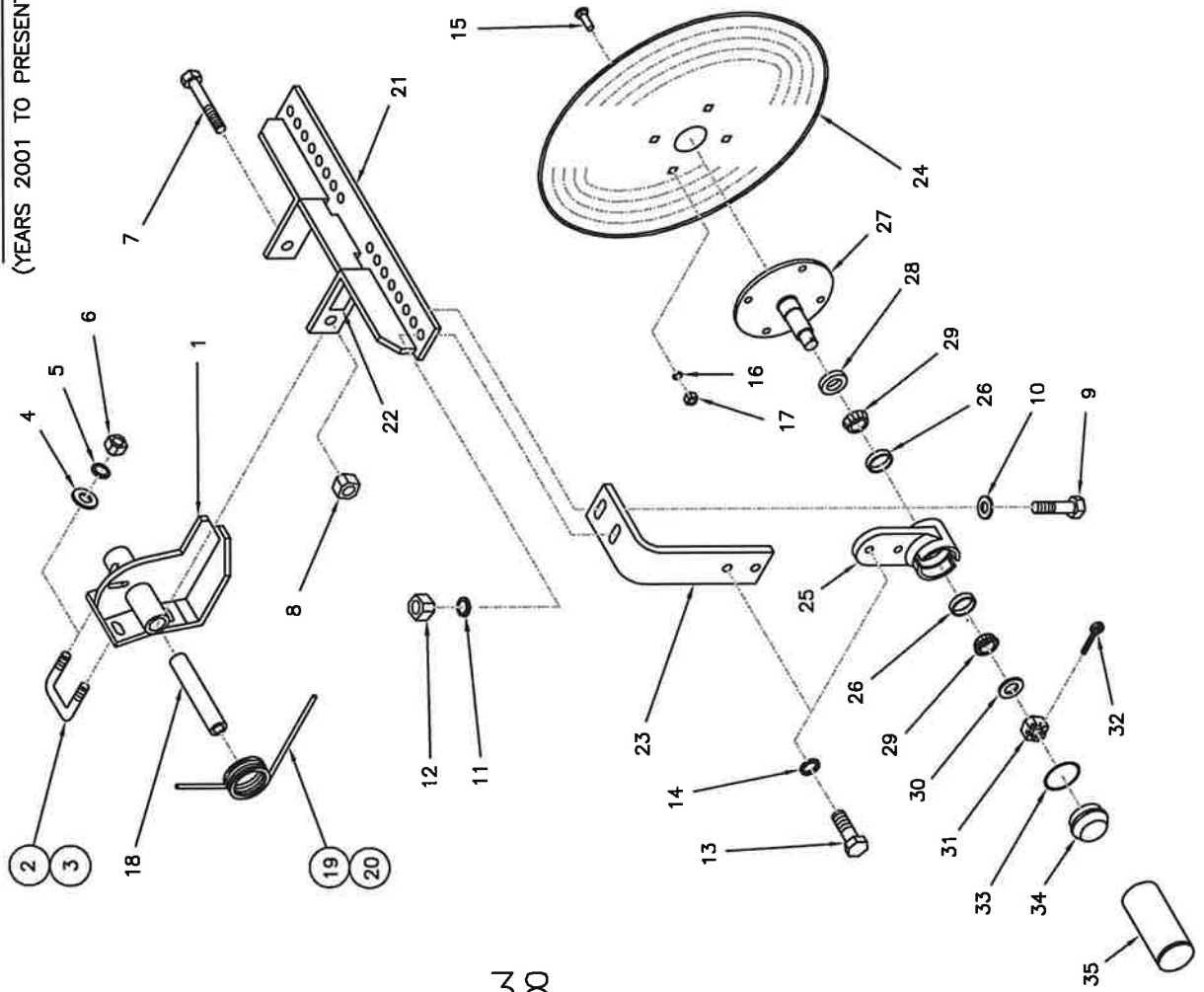
# DOUBLE DISC COVER SEALER "SPRING LOADED"

ASSEMBLY P.N. 40034000 SMOOTH 18" DISC

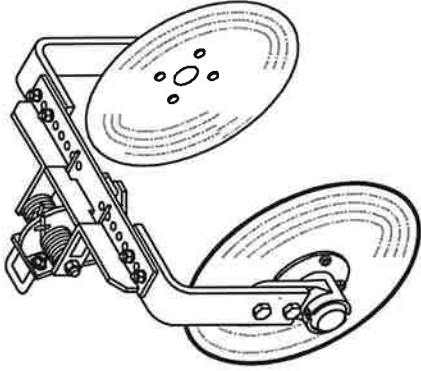
40034001 NOTCHED 18" DISC

WITH BOLT-ON HUB

(YEARS 2001 TO PRESENT)



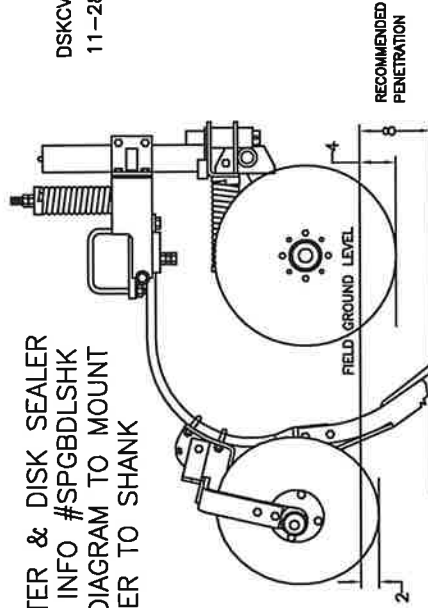
DSK201X18  
REV 10-22-09



ITEM PART NO.	DESCRIPTION	QTY.
1	47019325 MOUNTING BRACKET	1
2	47008396 U-BOLT, 1/2-13NC. 2 in. SHANK	2
3	47008397 U-BOLT, 1/2-13NC. 1 1/4 in. SHANK	2
4	18811400 FLATWASHER, 1/2	4
5	18891400 LOCKWASHER, 1/2	4
6	18417400 HEX. NUT, 1/2-13NC.	4
7	18057972 BOLT, 5/8-11NC. X 7 1/2	1
8	18457900 HEX. LOCKNUT, 5/8-11NC.	1
9	18057430 BOLT, 1/2-13NC. X 2	4
10	18811400 FLATWASHER, 1/2	4
11	18891400 LOCKWASHER, 1/2	4
12	18417400 HEX. NUT, 1/2-13NC.	4
13	18057523 BOLT, 1/2-20NF. X 1 1/4	4
14	18891400 LOCKWASHER, 1/2	4
15	18176450 CARRIAGE BOLT, 3/8-16NC. X 1	4
16	18891200 LOCKWASHER, 3/8	8
17	18436800 HEX. NUT, 3/8-16NC.	8
18	47009326 INNER BUSHING	1
19	47009326 TORSION SPRING, L.H.	1
20	47009327 TORSION SPRING, R.H.	1
21	47009317 DISC ARM FRAME	1
22	97445302 DECAL, "AG SYSTEMS" SMALL	1
23	47009621 DISC ARM	2
24	44501810 DISC BLADE, SMOOTH EDGE	2
OR	44501811 DISC BLADE, NOTCHED EDGE	OPT.
47109558	HUB ASSEMBLY COMPLETE	
25	INCLUDES ITEMS 13 & 14 & 25 TO 34	34
47009558	HUB WITH CUPS ITEM 26	2
10658	BEARING CUP	4
47009328	SPINDLE WITH FLANGE	2
40030325	GREASE SEAL	2
10659	BEARING CONE	4
18841800	FLATWASHER, 3/4 SAE (1 1/2 O.D.)	2
18488600	SLOTTED NUT, 3/4-16NF.	2
18560722	COTTER PIN, 5/32 X 1	2
47999558	O-RING DUST SEAL	2
47005911	DUST CAP	2
40039999	BOLT PACKAGE INCLUDES ITEMS- 4 TO 6, 8 TO 12, AND 15 TO 17	1
47005502	DUST CAP INSTALLATION TOOL (OPTIONAL)	1

SEE COULTER & DISK SEALER  
MOUNTING INFO #SPGBDLSHK  
DETAILED DIAGRAM TO MOUNT  
DISK SEALER TO SHANK

DSKCVRMT1318  
11-28-07



## ASSEMBLY INSTRUCTIONS

### DISC COVER SEALER

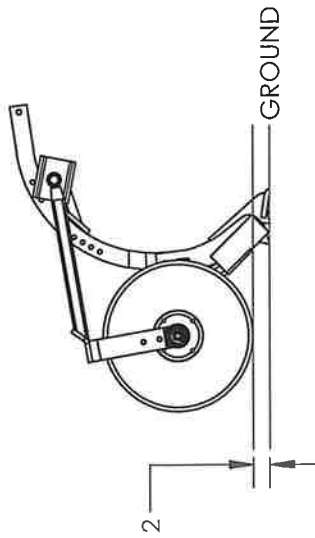
- 13 inch and 18 inch (WITH BOLT-ON-HUB)
- 13 INCH (REFER TO DIAGRAM DSK201X13)
- 18 INCH (REFER TO DIAGRAM DSK201X18)

Your disc cover sealer assembly is partially assembled at the factory. The spindle (item 27) and all hub components are pre-assembled and greased for life.

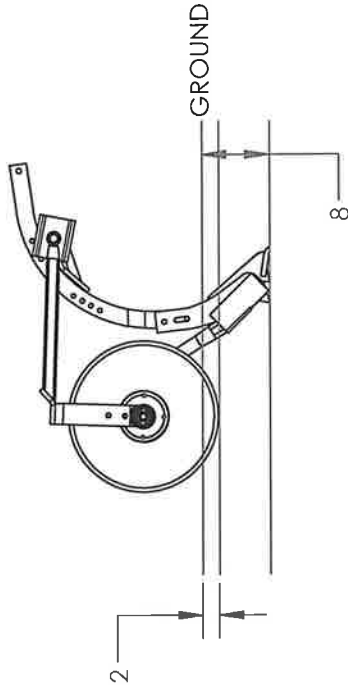
1. Secure the mounting bracket (item 1) in a vise or assemble to the tool shank or some temporary assembly fixture.
2. Insert the bushing (item 18) into the mounting bracket (item 1). Position the torsion springs (item 19) left hand and (item 20) right hand over the pivot tube on the mounting bracket (item 1). The short legs of the springs should be next to the center gusset on the mounting bracket.
3. Position the disc arm frame (item 21) to the mounting bracket (item 1). Insert the long legs of the torsion springs into the holes in the crossbar on the disc arm frame. Assemble all with the bolt (item 7) and the locknut (item 8). Securely tighten the locknut and bolt so that the inner bushing (item 18) and the disc arm frame rotate as one unit.
4. Increase the tension on the torsion springs by hooking the short leg of the spring behind the retaining lugs welded to the gusset on the mounting bracket. A short length of 3/8 or 1/2 inch pipe will be helpful to bend the spring leg into position behind the lug.
5. Assemble the disc arm (item 23) to the hub assembly with the bolts (item 13) and lock washers (item 14). Secure the disc arm assembly in a vise and assemble the disc (item 24) to the spindle flange with the hardware (items 15, 16 and 17). The disc may be mounted concave to the row or convex (reverse) to the row. There is no difference between left hand or right hand assemblies or single or double disc assemblies.
6. Mount the disc arm assembly to the disc arm frame (item 21) with the bolts (item 9) and the hardware (items 10, 11 and 12) as illustrated with the nut on top of the disc arm frame. The suggested start-up position for a double disc assembly would be to mount the disc arm in the frame that are farthest to the outside. For a single disc cover or a reversed disc cover, holes farther to the center would be more appropriate. The slotted holes in the disc arm provide the angular adjustment for the disc. Position the disc(s) at the angle desired and securely tighten the hardware.
7. Your disc cover assembly is shipped with (2) U-bolts for a 1 1/4 square shank and (2) U-bolts for a 2 inch wide shank. Select the appropriate U-bolts and mount the disc cover assembly to the shank at the desired operating depth. Securely tighten the hardware.

# DOUBLE DISK SEALER W/ FLOATING ARMS LAYOUT

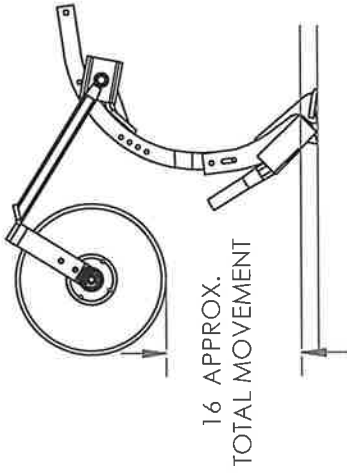
CASE/DMI SHANK  
(ASSEMBLY DIAGRAM)



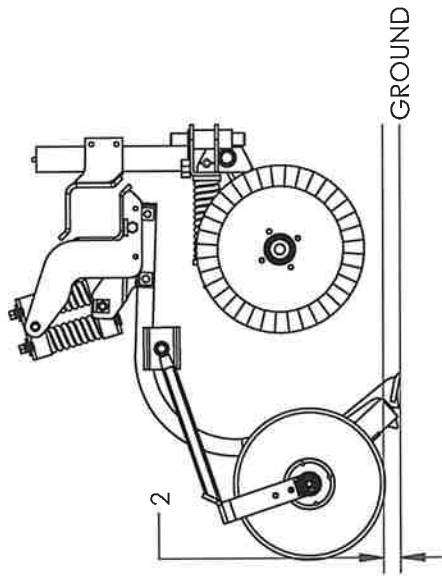
CASE/DMI SHANK  
(RECOMMENDED PENETRATION DIAGRAM)



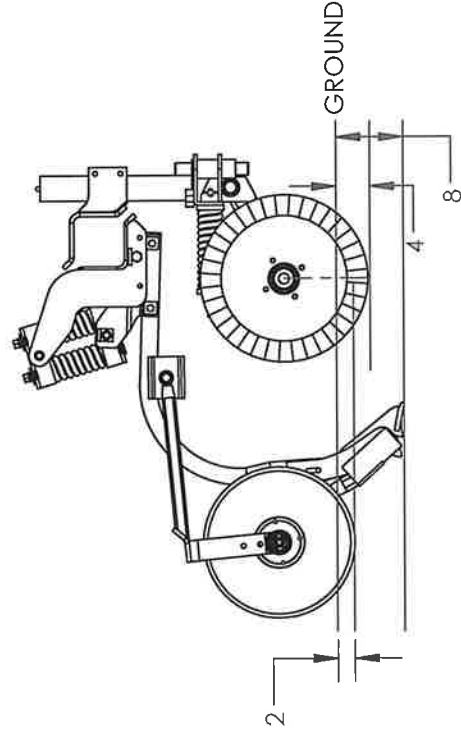
CASE/DMI SHANK  
(TRANSPORT DIAGRAM)



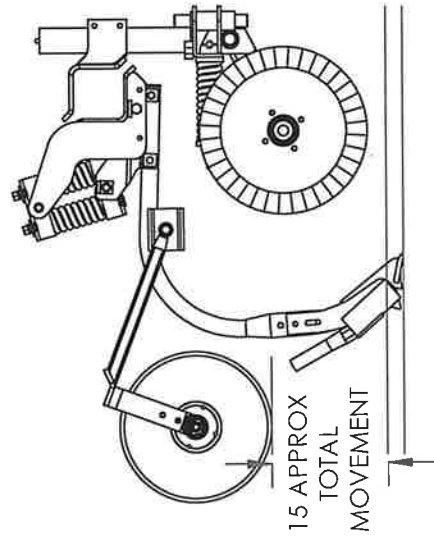
AG SYSTEMS HIGH TRIP EDGE BENT SHANK  
(ASSEMBLY DIAGRAM)



AG SYSTEMS HIGH TRIP EDGE BENT SHANK  
(RECOMMENDED PENETRATION DIAGRAM)



AG SYSTEMS HIGH TRIP EDGE BENT SHANK  
(TRANSPORT DIAGRAM)

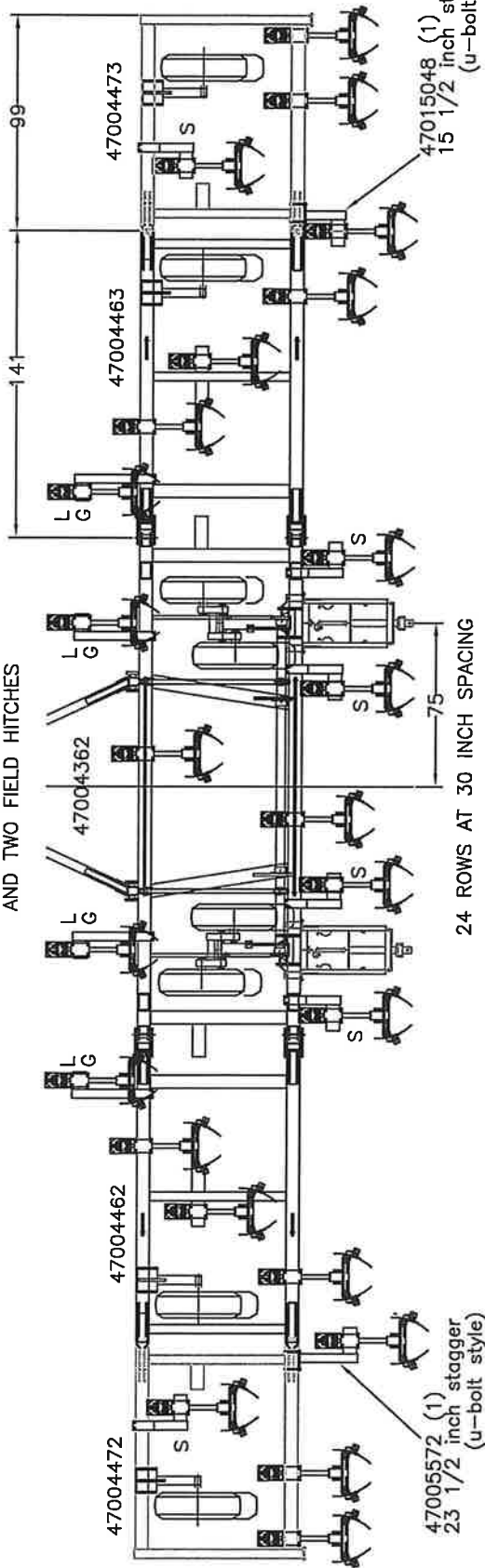


IN MANUAL

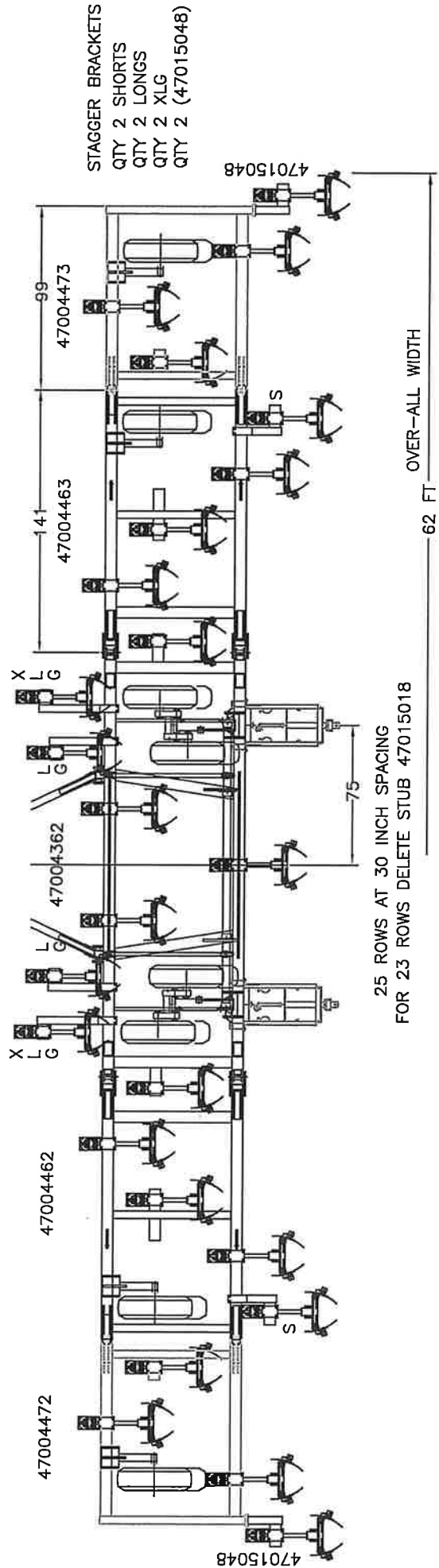
85K24+25X30  
PRO/10/26/04  
REVISED 05/31/18

# 8500 TOOLBAR (19' CENTER SECTION) (62.5 FT)

W/SHANKS AT 30 INCH SPACING  
DUAL SPRING BUNDLES  
AND TWO FIELD HITCHES



24 ROWS AT 30 INCH SPACING



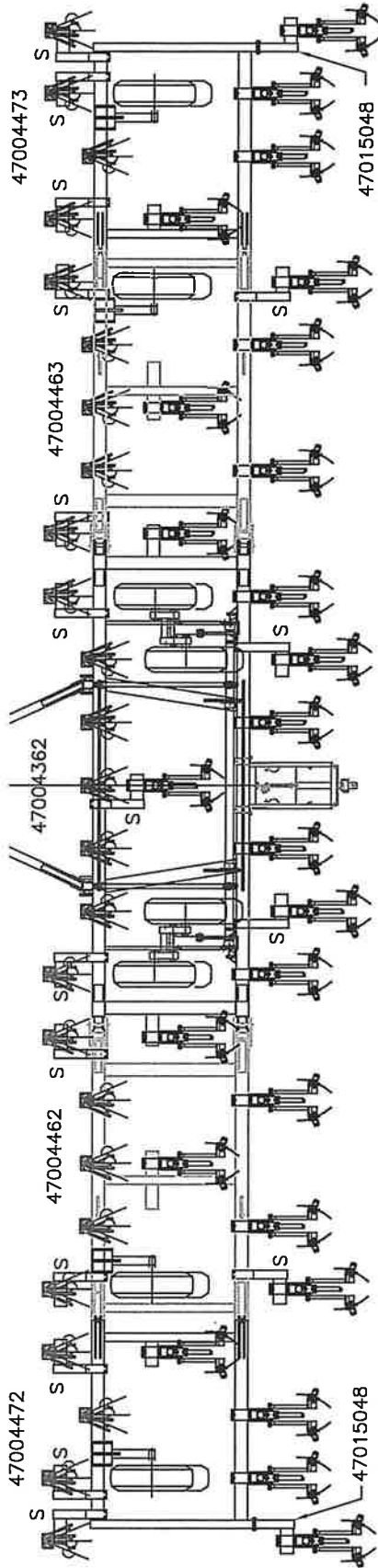
25 ROWS AT 30 INCH SPACING  
FOR 23 ROWS DELETE STUB 47015018

62 FT OVER-ALL WIDTH

# 8500 TOOLBAR(19' CENTER SECTION) (62.5 FT)

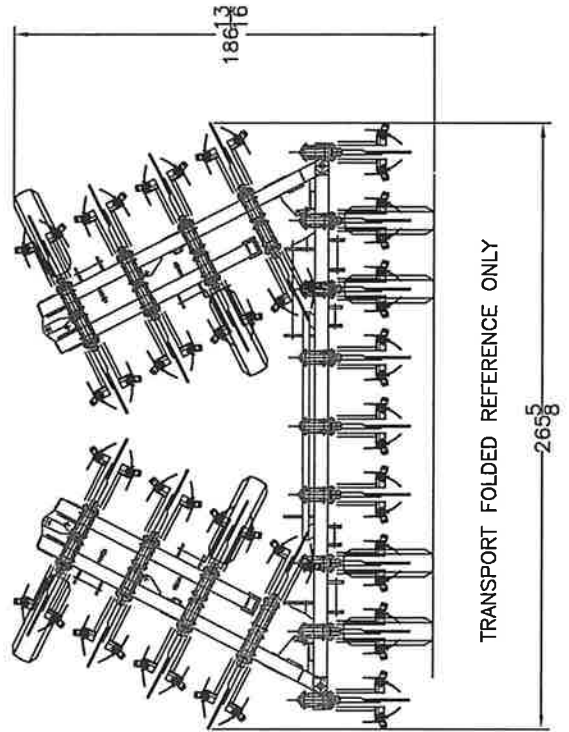
850030x25SPLIT  
REV 05/31/18

W/HI-TRIP SPRING BUNDLES  
25 ROWS AT 30 INCH SPACING  
WITH COULTERS AND BUNDLES SEPARATED  
AND FLOATING ARM DISC COVERS



AND STANDARD FIELD HITCH

STAGGER BRACKETS  
QTY 17 SHORTS  
QTY 2 (47015048)





PART #: 47008552

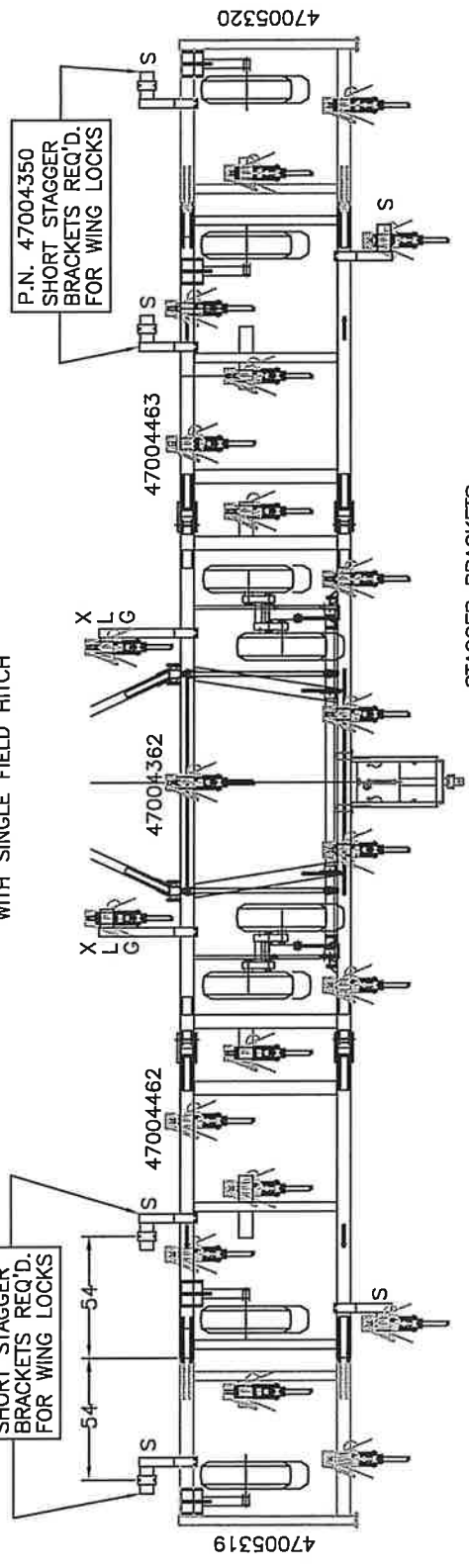
8500 TOOLBAR (19' CENTER SECTION) (52.5 FT)

21 SHANKS AT 30 INCH SPACING  
W/HI-TRIP SPRING BUNDLES AND AG 38 COULTERS  
WITH SINGLE FIELD HITCH

85K2130X52FT  
PRO/08/07/08  
REV 08-27-13

P.N. 47004350  
SHORT STAGGER  
BRACKETS REQ'D.  
FOR WING LOCKS

P.N. 47004350  
SHORT STAGGER  
BRACKETS REQ'D.  
FOR WING LOCKS



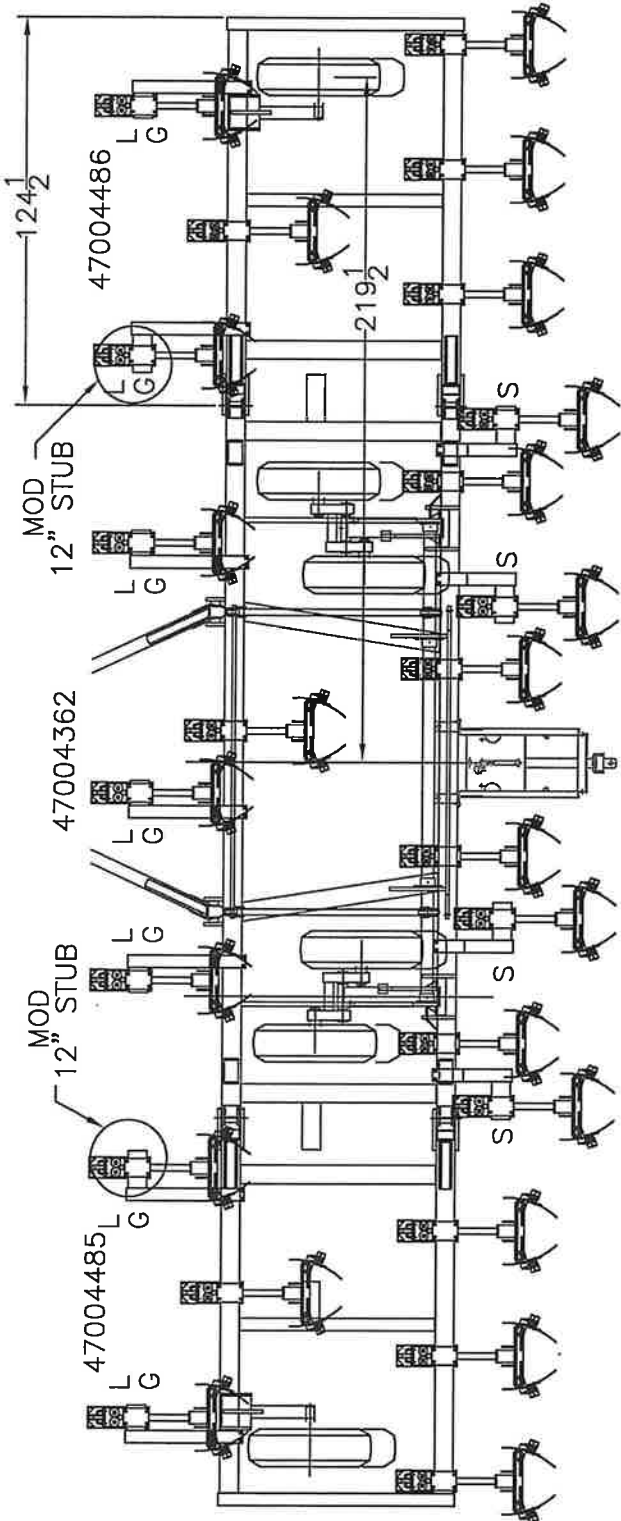
STAGGER BRACKETS  
QTY 2 EXTRA-LONGS  
QTY 6 SHORTS

# 8500 TOOLBAR (19' CENTER SECTION)

IN MANUAL

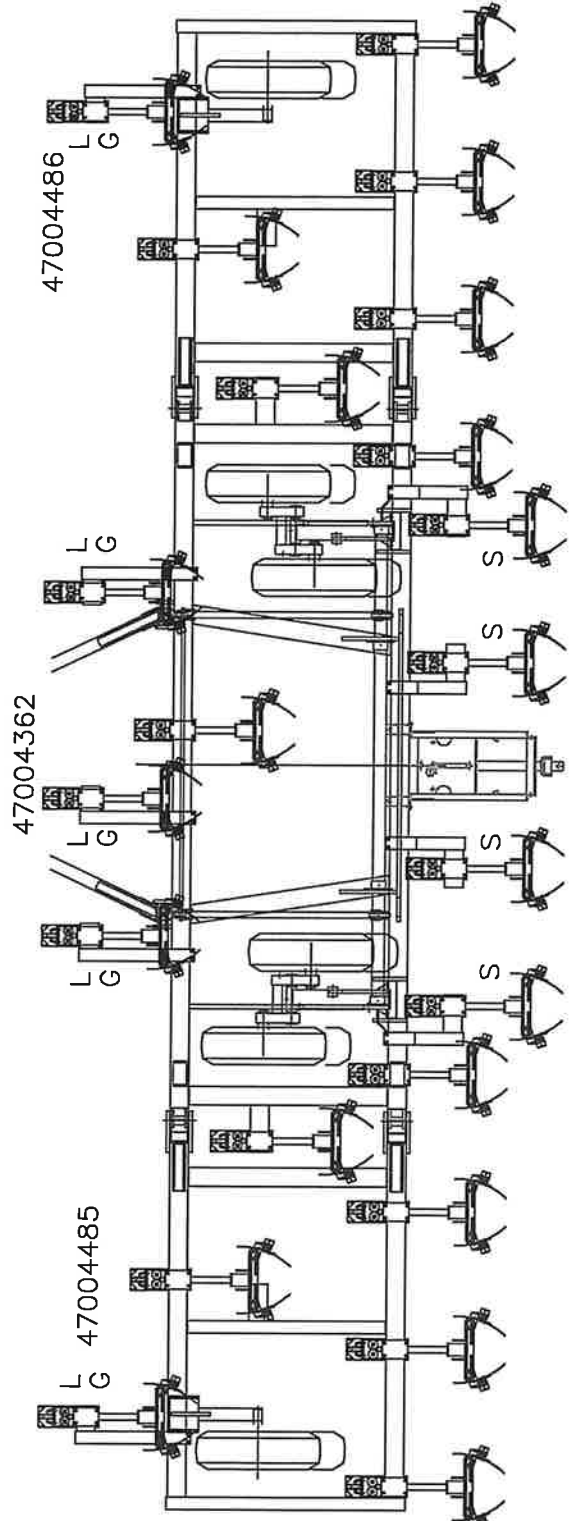
85K24X20+22  
 PRO/ 09/16/03  
 REV 05/31/18

WITH PRIMARY WINGS ONLY  
 AND STANDARD FIELD HITCH



STAGGER BRACKETS  
 QTY 4 SHORTS  
 QTY 5 LONGS  
 QTY 2 LONGS MODIFIED

24 ROWS AT 20 INCH SPACING



STAGGER BRACKETS  
 QTY 4 SHORTS  
 QTY 5 LONGS

22 ROWS AT 22 INCH SPACING

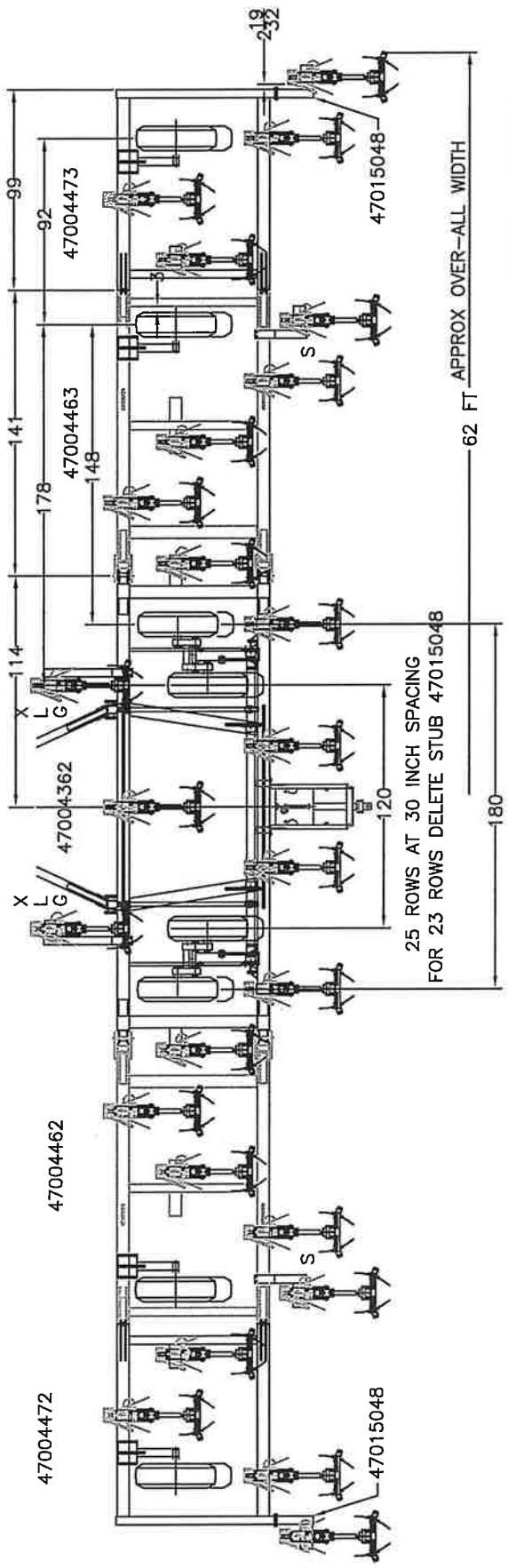
# 8500 TOOLBAR (19' CENTER SECTION) (62.5 FT) IN MANUAL

850030x25  
 PRO/11/23/04  
 REVISED 10-01-09

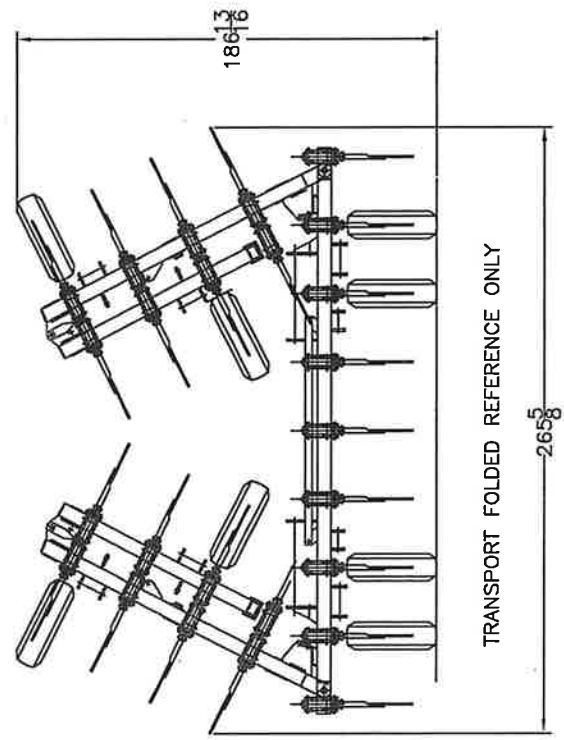
**PART #: 47008562**

W/HI-TRIP SPRING BUNDLES  
 AT 30 INCH SPACING  
 AND STANDARD FIELD HITCH

25 ROWS AT 30 INCH SPACING

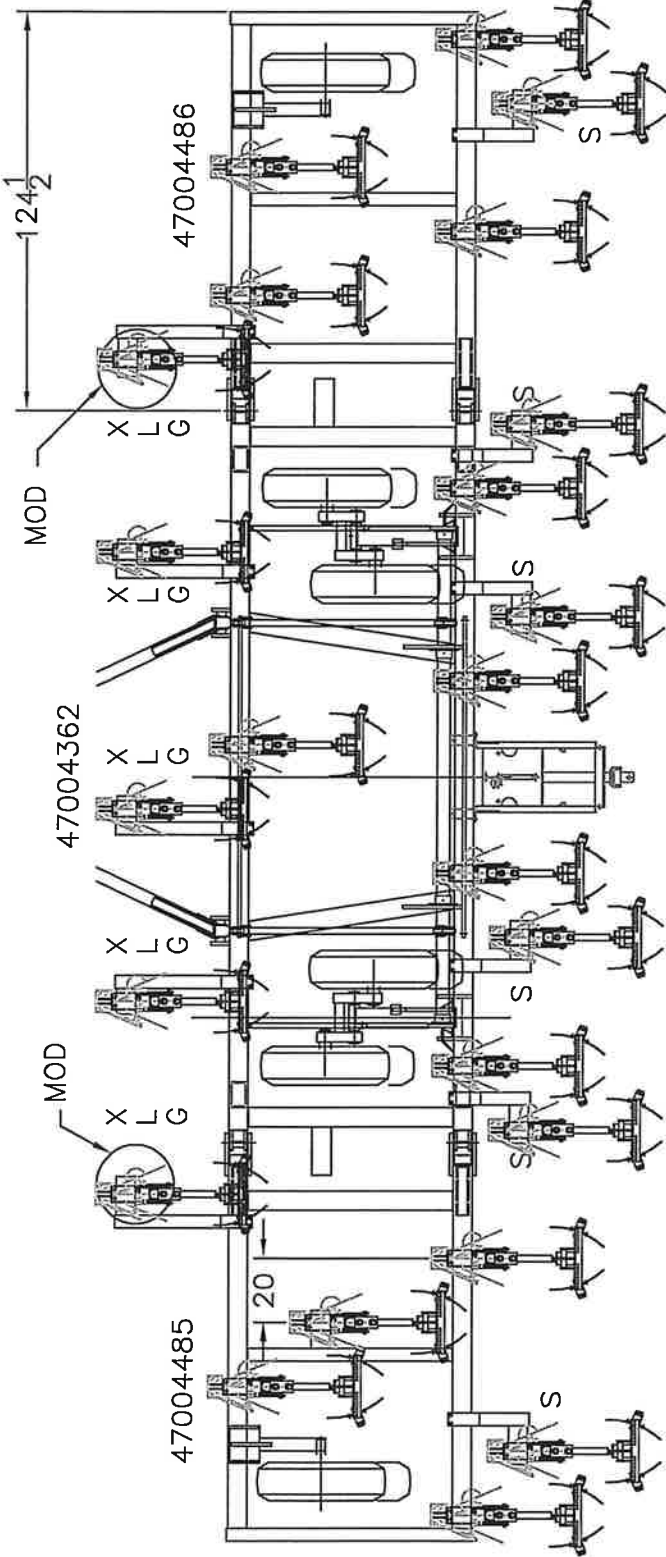


STAGGER BRACKETS  
 QTY 2 SHORTS  
 QTY 2 XTRA-LONGS  
 QTY 2 (47015048)



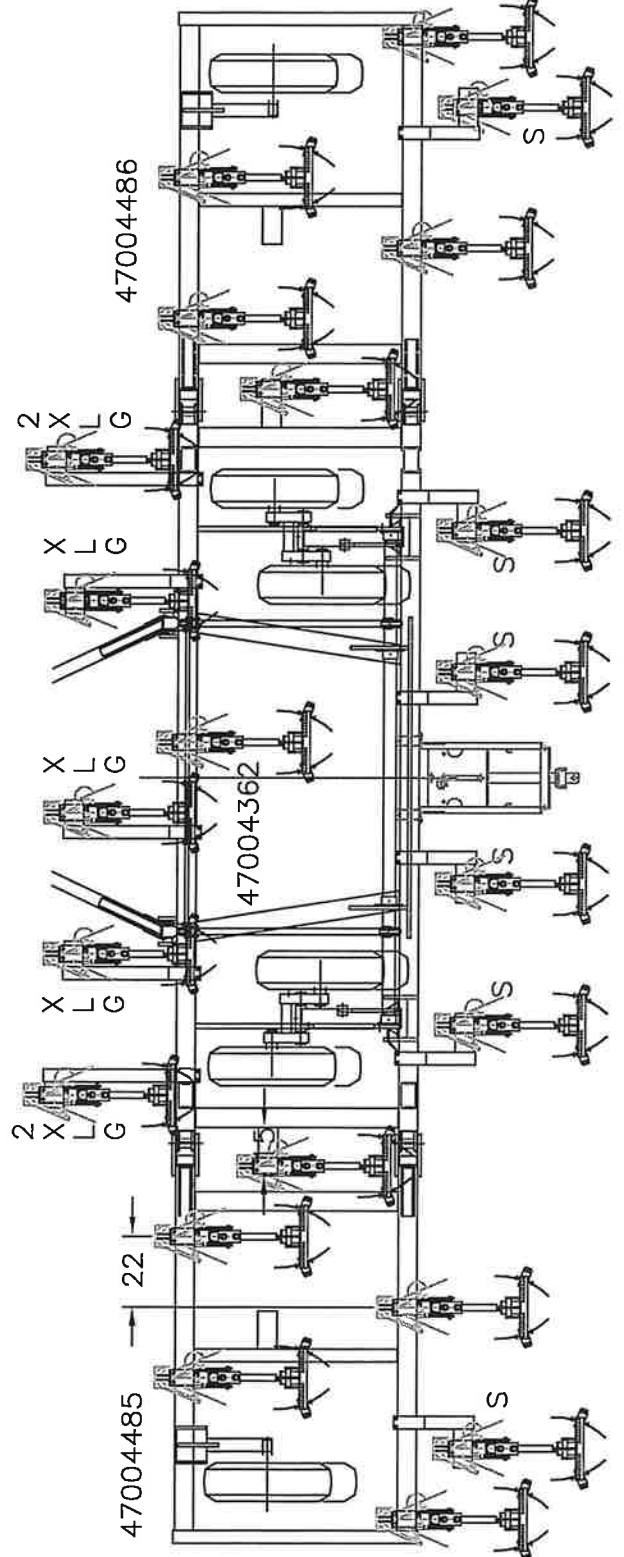
# 8500 TOOLBAR (19' CENTER SECTION)

WITH HI-TRIP SPRING BUNDLES  
AND STANDARD FIELD HITCH



STAGGER BRKTS  
QTY 6 SHORTS  
QTY 5 XTRA-LONGS

24 ROWS AT 20 INCH SPACING



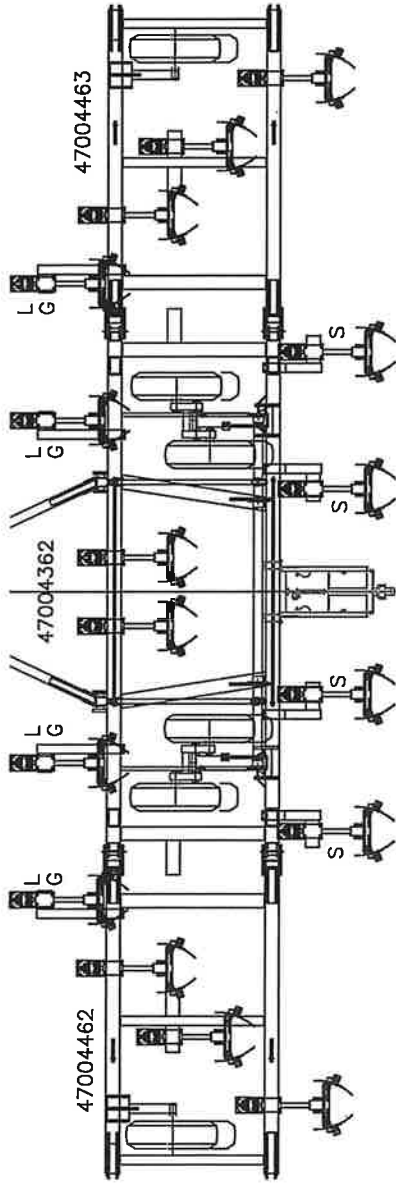
STAGGER BRKTS  
QTY 6 SHORTS  
QTY 3 XTRA-LONGS  
QTY 2 2XLG

22 ROWS AT 22 INCH SPACING

# 8500 TOOLBAR (19' CENTER SECTION)

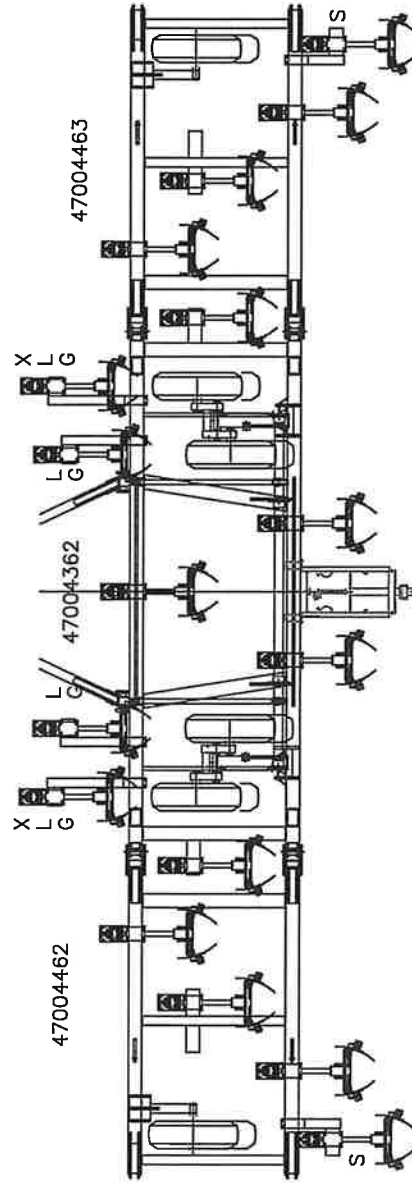
85K40ft30space  
PRO/05/31/18

W/SHANKS AT 30 INCH SPACING  
DUAL SPRING BUNDLES  
AND TWO FIELD HITCHES



STAGGER BRACKETS  
QTY 4 SHORTS  
QTY 4 LONGS

16 ROWS AT 30 INCH SPACING -- 40 FT



STAGGER BRACKETS  
QTY 2 SHORTS  
QTY 2 LONGS  
QTY 2 XLG

17 ROWS AT 30 INCH SPACING -- 42 1/2 FT

PART #:47008542

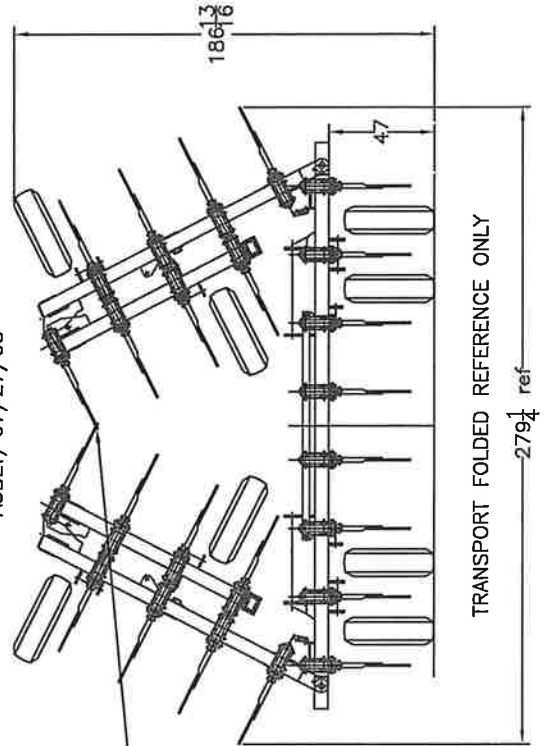
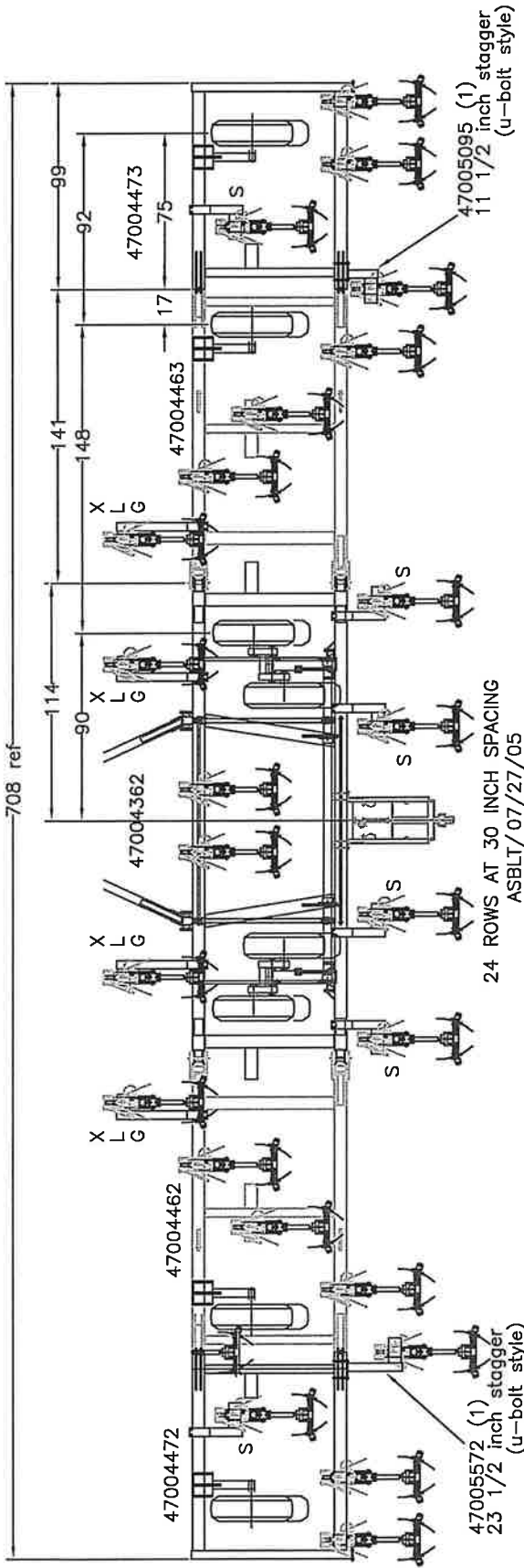
# 8500 TOOLBAR (19' CENTER SECTION) (60 FT)

IN MANUAL

W/HI-TRIP SPRING BUNDLES  
AT 30 INCH SPACING  
AND STANDARD FIELD HITCH

850030x24  
ASBLT/07/27/05  
REVISED 05/31/18

24 ROWS AT 30 INCH SPACING



### STAGGER BRACKETS

- QTY 6 SHORTS
- QTY 4 XTRA-LONGS
- QTY 1 (47005572)
- QTY 1 (47005095)

23 1/2 and 11 1/2" stagers on opposite wings allow clearance for folding into the transport position.

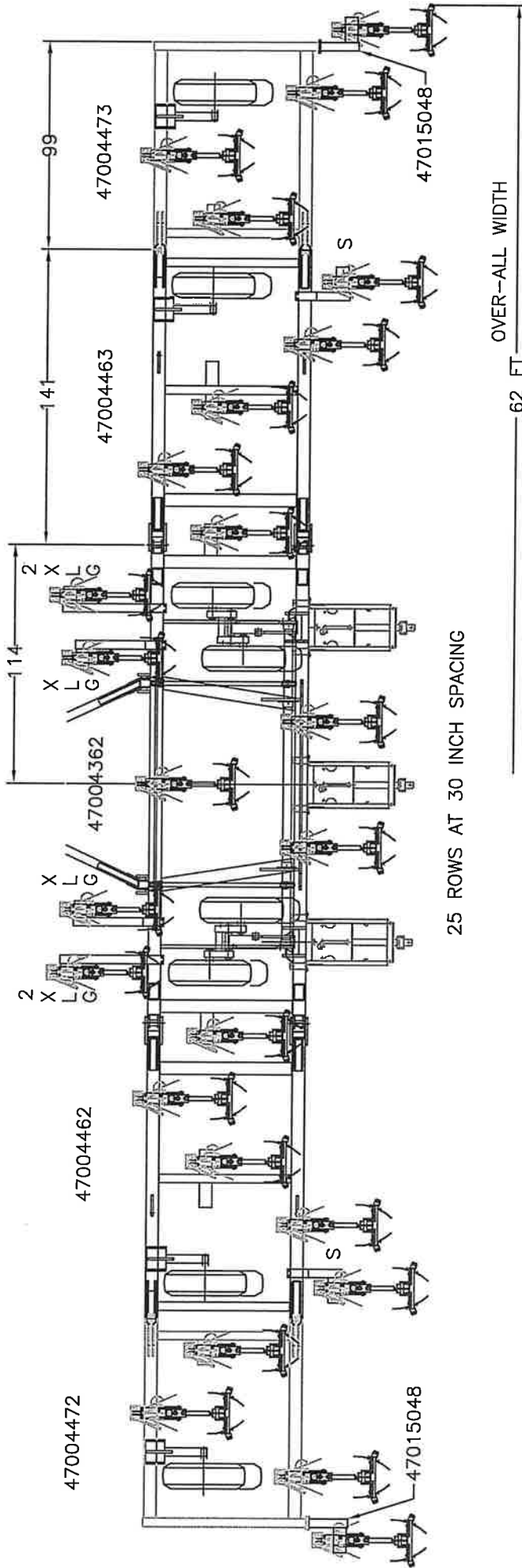
# 8500 TOOLBAR (19' CENTER SECTION) (62.5 FT)

IN MANUAL

W/HI-TRIP SPRING BUNDLES  
AT 30 INCH SPACING  
AND THREE FIELD HITCHES

85K25HT3FH  
PRO/09/15/05

REVISED 05-31/18



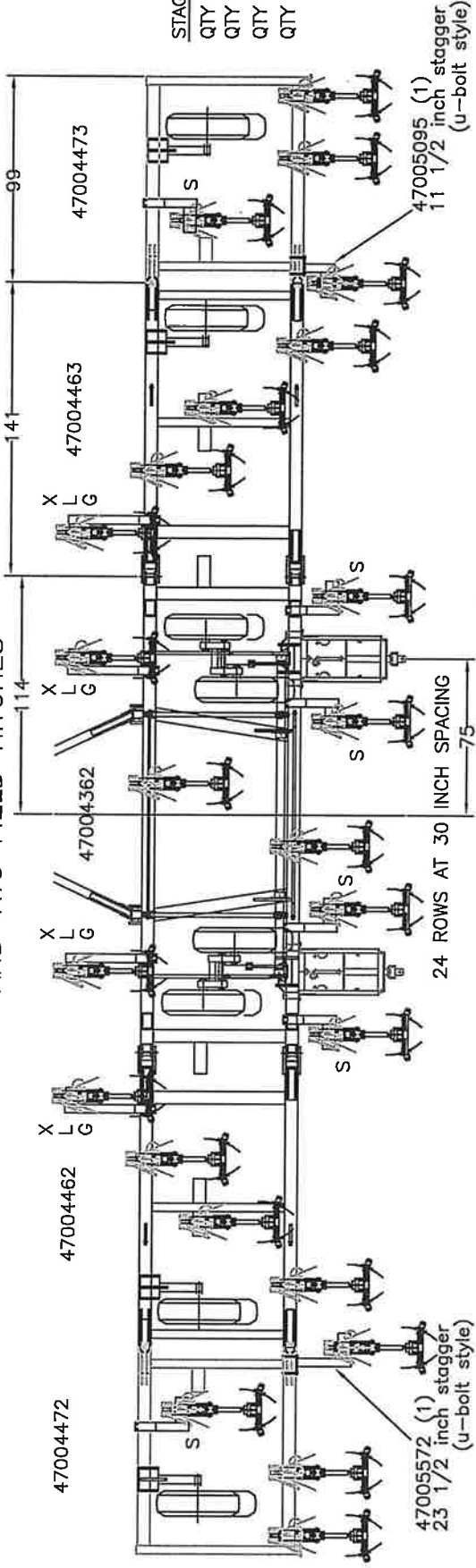
25 ROWS AT 30 INCH SPACING

- STAGGER BRACKETS
- QTY 2 SHORTS
- QTY 2 XTRA-LONGS
- QTY 2 2XLG
- QTY 2 (47015048)

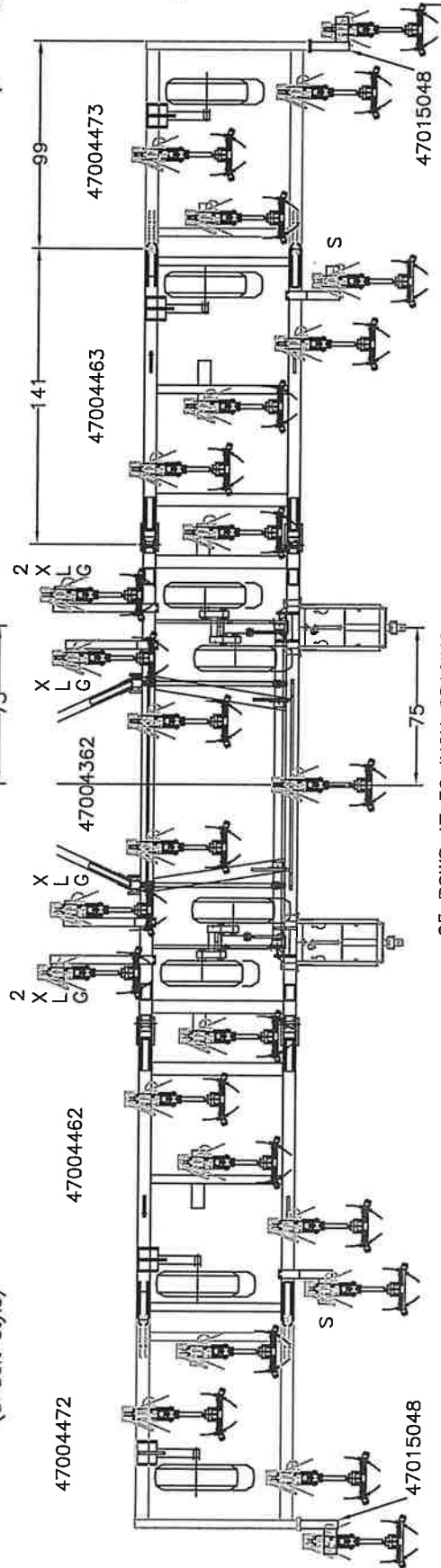
# 8500 TOOLBAR (19' CENTER SECTION)

IN MANUAL  
 85K30HTRP2HCH  
 PRO/ 11/16/04  
 REVISED 05/31/18

W/HI-TRIP SPRING BUNDLES  
 AT 30 INCH SPACING  
 AND TWO FIELD HITCHES



STAGGER BRACKETS  
 QTY 6 SHORTS  
 QTY 4 XTRA-LONGS  
 QTY 1 (47005572)  
 QTY 1 (47005095)



STAGGER BRACKETS  
 QTY 2 SHORTS  
 QTY 2 XTRA-LONGS  
 QTY 2 2XLG  
 QTY 2 (47015048)

25 ROWS AT 30 INCH SPACING  
 FOR 23 ROWS DELETE STUB 47015048

OVER-ALL WIDTH  
 62 FT



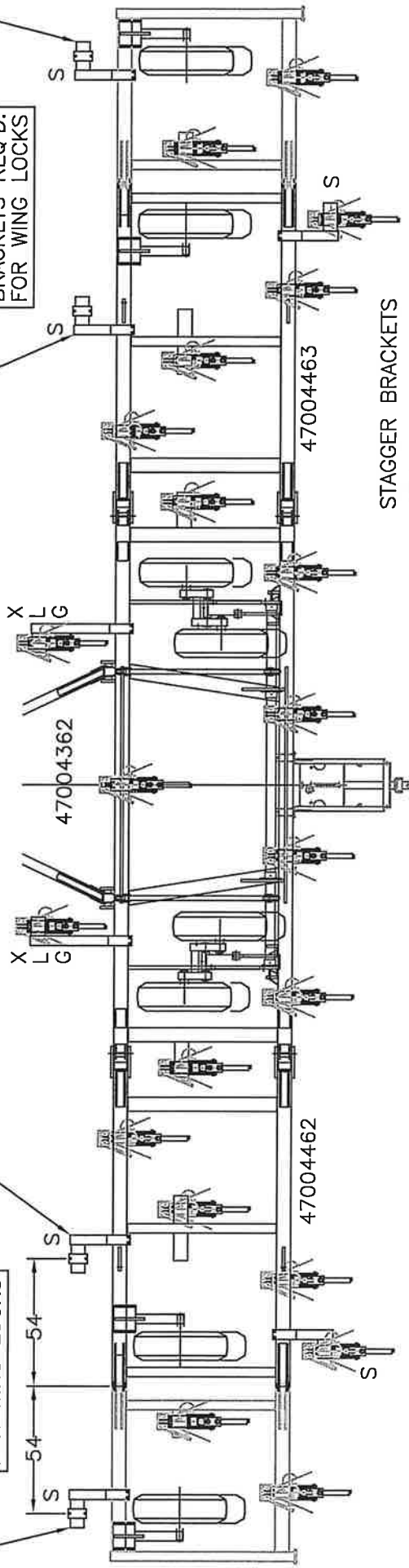
# 8500 TOOLBAR (19' CENTER SECTION) (52.5 FT)

21 SHANKS AT 30 INCH SPACING  
WITH DMI HCS BUNDLES  
AND SINGLE 8500 FIELD HITCH

85K2130DMIX52FT  
PRO/03-29-13  
REV 05/31/18

P.N. 47004350  
SHORT STAGGER  
BRACKETS REQ'D.  
FOR WING LOCKS

P.N. 47004350  
SHORT STAGGER  
BRACKETS REQ'D.  
FOR WING LOCKS



STAGGER BRACKETS  
QTY 6 SHORTS  
QTY 2 XTRA-LONGS

40268500

47005319

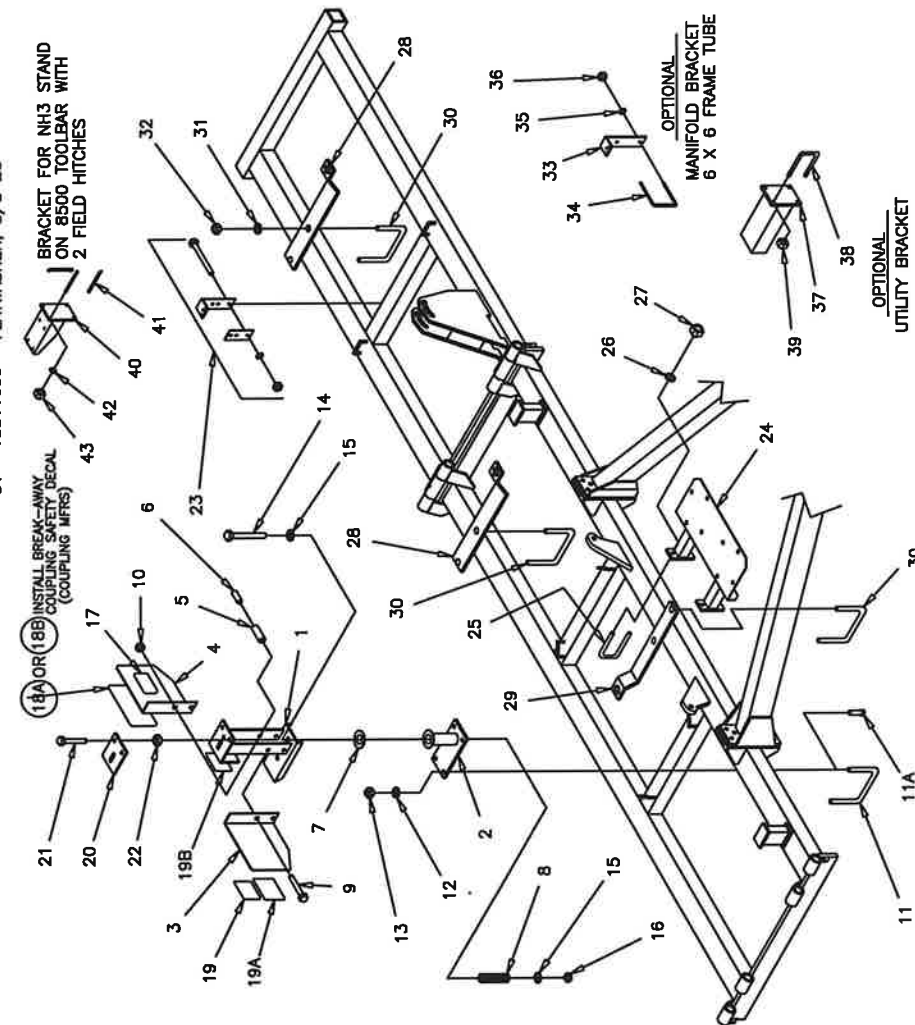
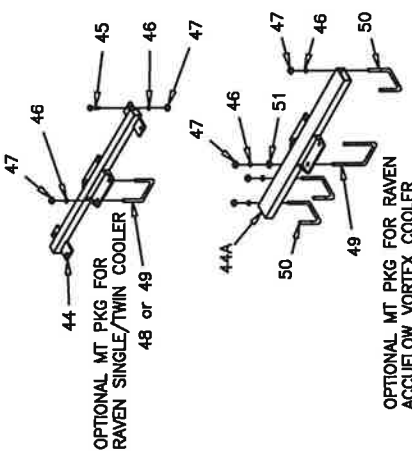
47005320

NH3 APPLICATION OPTIONS  
PARTS LIST

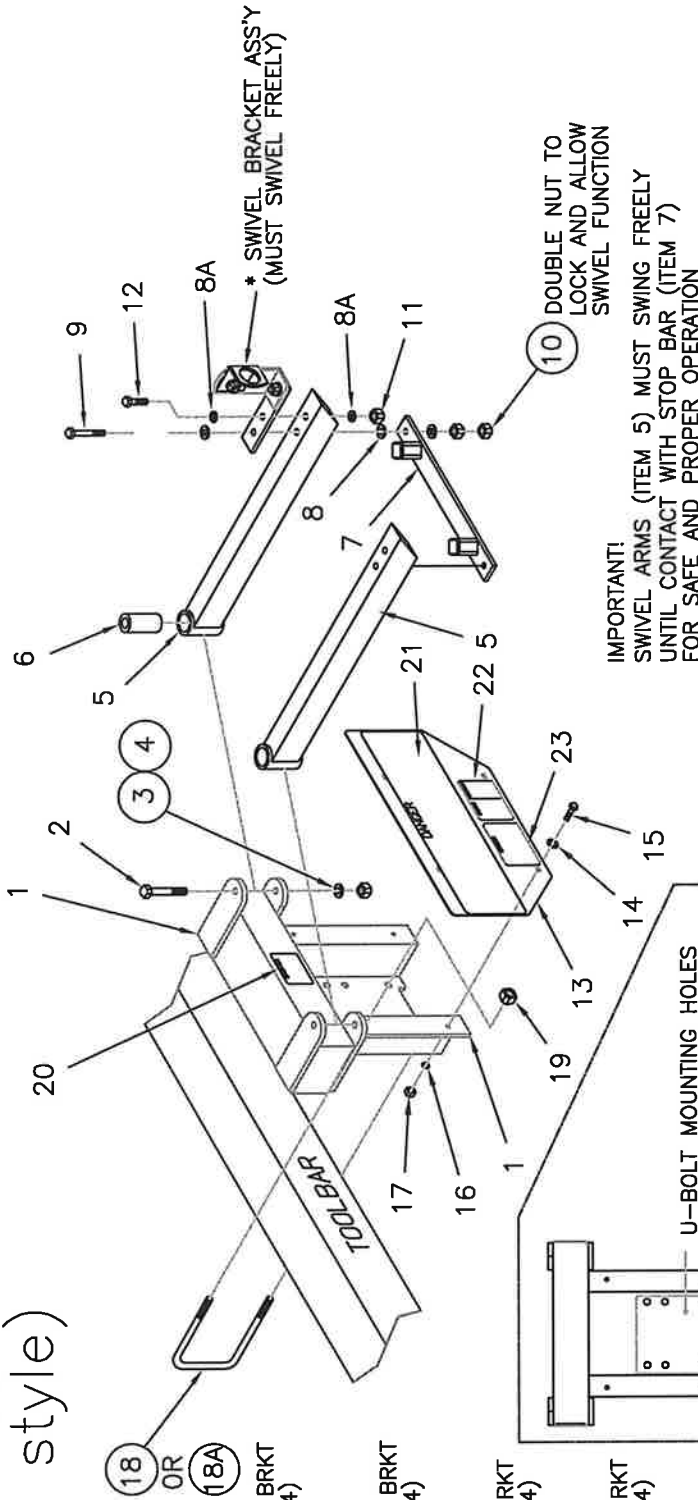
ITEM NO.	PART NO.	DESCRIPTION	QTY.
1	47010175	CENTER MANIFOLD STAND ASSEMBLY COMPLETE	1
2	47010124	UPPER STAND	1
3	47010172	LOWER STAND	1
4	47010129	DECAL WING - LEFT	1
5	47010130	DECAL WING - RIGHT	1
6	47010128	BUSHING	2
7	47010242	SPACER TUBE	1
8	47010174	SPACER WASHER, SS	2
9	47003898	SPRING, 4.50 LONG	1
10	18056468	BOLT, 5/16-18NC, X 3 1/2	2
11	18496400	FLANGE NUT, 5/16-18NC, (6 X 4 TUBE)	2
11A	47001028	U-BOLT, 3/8-16NC, (6 X 6 TUBE)	OR
	47009986	U-BOLT, 3/8-16NC, (6 X 6 TUBE)	OR
	47009985	FIELD HITCH WITH THE LOWER STAND (ITEM 2) ON A	1
	18891200	USE (4) BOLTS, 3/8-16NC, X 1 1/4, P.N. 18056824	4
12	18891200	LOCKWASHER, 3/8	4
13	18436800	HEX NUT, 3/8-16NC	4
14	18057425	BOLT, 1/2-13NC, X 5 1/4	1
15	18811400	WASHER, FLAT, 1/2 ZC	2
16	18457650	HEX NUT, CTR LOCK 1/2 ZC	1
17	97445303	DECAL - AG SYSTEMS (SMALL)	1
18A	FM125-2000	DECAL - DANGER (FLOWAX)	1
18B	9070034	DECAL - DANGER (PIONEER)	1
19	699103	DECAL - OPERATION & MAINT. INSTRUCTIONS	1
19A	699102	DECAL - DANGER	1
19B	699105	DECAL - SAFETY INSTRUCTIONS	1
20	47010155	CLAMP PLATE	1
21	18056458	BOLT, 5/16-18NC, X 3	3
22	18496400	FLANGE NUT, 5/16-18NC	3
23	70245	MANIFOLD STAND ASSEMBLY	1
		CONSISTS OF THE FOLLOWING	
	2-2524	MANIFOLD SUPPORT	1 EACH
	2-6321	CLAMP PLATE	1 EACH
	18057456	BOLT, 1/2-13NC, X 5 1/2	2 EACH
	18891400	LOCKWASHER, 1/2	2 EACH
	18417400	HEX NUT, 1/2-13NC	2 EACH
24	47010236	NH3 CONTROL BRACKET	1
25	47006951	U-BOLT, 5/8-11NC, (6 X 4 TUBE)	2
26	18891600	LOCKWASHER, 5/8	4
27	18417900	HEX NUT, 5/8-11NC	4
28	47010381	MANIFOLD SUPPORT (3" OFFSET)	4
29	47010382	MANIFOLD SUPPORT (2" OFFSET)	1
30	18891028	U-BOLT, 3/8-13NC	5
31	18891200	LOCKWASHER, 3/8	10
32	18436800	HEX NUT, 3/8-16NC	10
33	47019993	OPTIONAL	
34	47019993	MANIFOLD SUPPORT, (6 X 6 TUBE)	2
35	47009986	U-BOLT, 3/8-13NC, (6 X 6 TUBE)	2
36	18891200	LOCKWASHER, 3/8	4
37	18436800	HEX NUT, 3/8-16NC	4
38	47004592	UTILITY BRACKET (6 X 6 TUBE)	1
39	47004821	UTILITY BRACKET (UNIV) (6 X 4 TUBE)	2
40	47006950	U-BOLT, 5/8-11NC, (6 X 6 TUBE)	OR
41	44001616	U-BOLT, 5/8-11NC, (4 X 4 TUBE)	OR
42	47006951	U-BOLT, 5/8-11NC, (6 X 4 TUBE)	4
43	18457900	HEX. LOCKNUT, 5/8-11NC	4
44	47004625	STAND MOUNT BRACKET	1
45	47009986	U-BOLT, 3/8-16NC	2
46	18891200	LOCKWASHER, 3/8	4
47	18436800	HEX NUT, 3/8-16NC	4

NH3 DISTRIBUTION  
STANDS AND BRACKETS

ITEM NO.	PART NO.	DESCRIPTION	QTY.
44	47025077	OPTIONAL MT PKG FOR RAVEN COOLER (8000)	2
45	47005077	BRACKET	8
46	18057926	BOLT, HEX HD 5/8 X 1 1/2 GR5 ZC	16
47	18891600	LOCKWASHER, 5/8 ZC	16
48	18417900	NUT, 5/8 NC ZC	4
49	47010154	U-BOLT 5/8 (fits 4 x 6 tube)	4
44	47015077	OPTIONAL MT PKG FOR RAVEN COOLER (8500)	2
45	47005077	BRACKET	8
46	18057926	BOLT, HEX HD 5/8 X 1 1/2 GR5 ZC	16
47	18891600	LOCKWASHER, 5/8 ZC	16
48	18417900	NUT, 5/8 NC ZC	4
49	47006950	U-BOLT 5/8 (fits 6 x 6 tube)	4
44A	47995838	OPT. MT PKG FOR RAVEN Vortex COOLER (8500)	1
45	47005838	BRACKET (for Raven Accuflow Vortex)	10
46	18891600	LOCKWASHER, 5/8 ZC	10
47	18417900	NUT, 5/8-11 NC ZC	2
48	47006950	U-BOLT 5/8 (fits 6 x 6 tube)	3
49	47015839	U-BOLT 5/8 (fits 2 x 4 tube)	3
50	18811600	FLATWASHER, 5/8 ZC	4



# NH3 QUICK COUPLER STAND KIT (2015) for NH3 TOOLBARS (swing arm style)



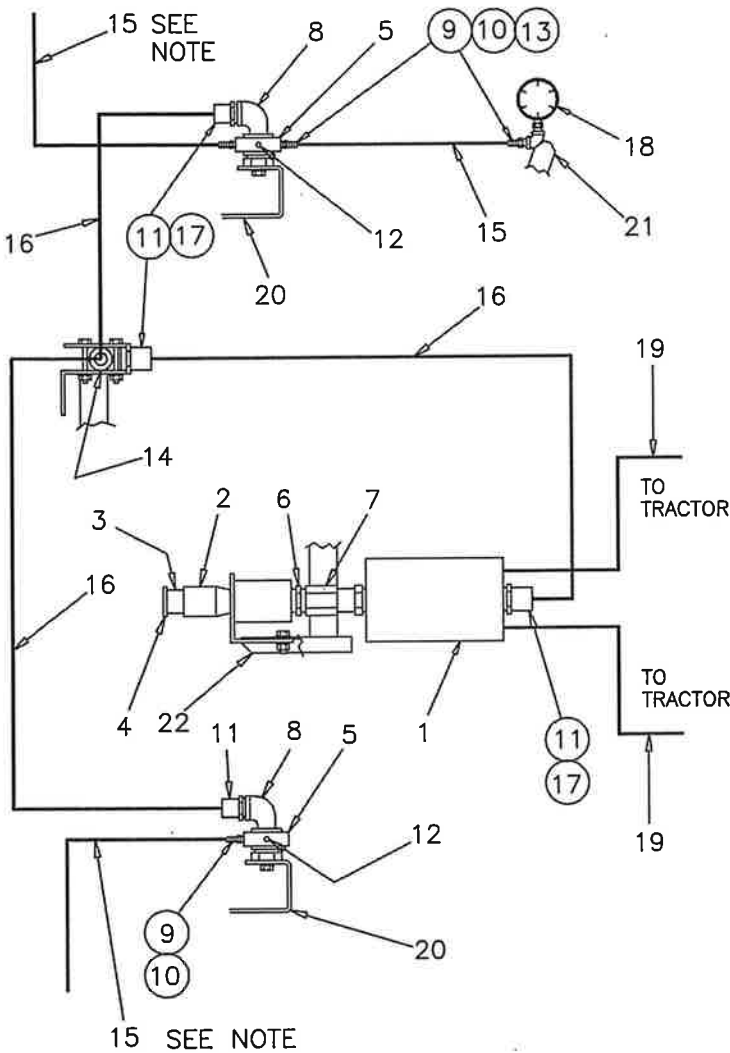
- 47015908 COMPLETE SINGLE QUICK DISCONNECT BRKT ASSEMBLY (INCLUDES ITEMS 1 THRU 24) (FITS 4 X 6 TOOLBAR FRAME ONLY)
- 47025908 COMPLETE SINGLE QUICK DISCONNECT BRKT ASSEMBLY (INCLUDES ITEMS 1 THRU 24) (FITS 6 X 6 TOOLBAR FRAME ONLY)
- 47035908 COMPLETE DUAL QUICK DISCONNECT BRKT ASSEMBLY (INCLUDES ITEMS 1 THRU 24) (FITS 4 X 6 TOOLBAR FRAME ONLY)
- 47045908 COMPLETE DUAL QUICK DISCONNECT BRKT ASSEMBLY (INCLUDES ITEMS 1 THRU 24) (FITS 6 X 6 TOOLBAR FRAME ONLY)

ITEM	SINGLE		DUAL		PART NO.	DESCRIPTION
	QTY	QTY	QTY	QTY		
1	1	1	1	1	47005908	HINGE MOUNT WELDMENT
2	1	2	1	2	18058458	BOLT, HEX 3/4 NC X 6 GR5 ZC
3	1	2	1	2	18811800	FLATWASHER, 3/4 ZC
4	1	2	1	2	18458400	NUT, CENTER LOCK 3/4 NC ZC
5	1	2	1	2	47005901	SWING ARM WELDMENT
6	1	2	1	2	47005904	SWIVEL BUSHING
7	1	1	1	1	47005914	TIE BAR WELDMENT
8	3	6	3	6	18811400	FLATWASHER, 1/2 USS ZC
8A	2	4	2	4	18851400	FLATWASHER, 1/2 SAE ZC
9	-	2	-	2	18057454	BOLT, 1/2 NC X 5 LONG GR5 ZC
10	-	4	-	4	18417400	NUT, HEX 1/2 NC ZC
11	2	4	2	4	18457650	LOCKNUT, HEX 1/2 NC ZC
12	2	2	2	2	18057424	BOLT, 1/2 NC X 1 1/4 LG GR5 ZC
13	1	1	1	1	47005900	DECAL PANEL
14	4	4	4	4	18811100	FLATWASHER, USS 5/16 ZC
15	4	4	4	4	18056424	BOLT, HEX 5/16NC X 1 1/4 ZC
16	4	4	4	4	18891110	LOCKWASHER, 5/16 ZC
17	4	4	4	4	18406400	NUT, HEX 5/16 NC ZC
18	2	2	2	2	47009847	U-BOLT, 5/8 (fits 6 x 6 tube)
OR						
18A	2	2	2	2	47006951	U-BOLT, 5/8 (fits 4 x 6 tube)
19	4	4	4	4	18417900	NUT, HEX 5/8 NC ZC
20	1	1	1	1	699105	DECAL, SAFETY INSTRUCTIONS
21	1	1	1	1	FM125-2000	DECAL, DANGER, (Flomax coupler safety)
22	1	1	1	1	699103	DECAL, OPER & MAINT. INSTRUCTIONS
23	1	1	1	1	699102	DECAL, DANGER, (hazard, don't breathe)

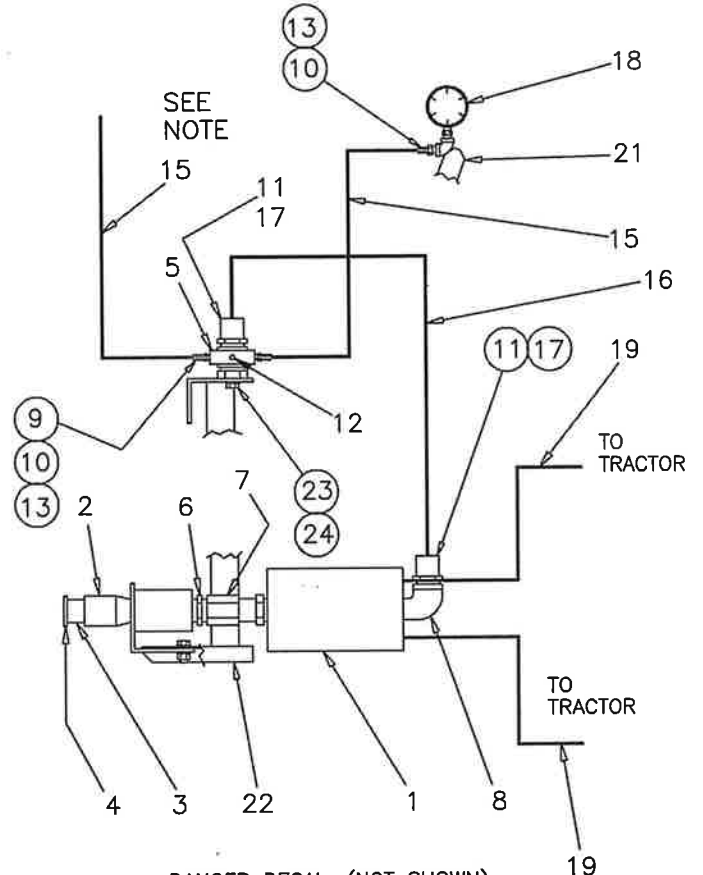
NH3 APPLICATION PLUMBING

10397

NH3 APPLICATION SCHEMATIC WITH 2 MANIFOLDS



NH3 APPLICATION SCHEMATIC WITH ONE MANIFOLD



DANGER DECAL, (NOT SHOWN) WHICH IS SUPPLIED WITH ITEM 2, (QUICK COUPLER) ATTACH TO FIELD HITCH

NOTE: FOR ITEM 15 CUT IDENTICAL LENGTHS OF TUBING FOR EACH KNIFE.

ITEM	PART NO.	DESCRIPTION	34 FT. TOOLBAR SHANK SPACING				42 FT. TOOLBAR SHANK SPACING				52 FT. TOOLBAR SHANK SPACING			
			15"	18"	30"	36"	15"	18"	30"	36"	15"	18"	30"	36"
1	100186	B-9500 METER	1	-	ALL	1	-	ALL	1	-	ALL	1	-	ALL
2	100399	QUICK COUPLER	1	-	ALL	1	-	ALL	1	-	ALL	1	-	ALL
3	111430	ACME ADAPTER	1	-	ALL	1	-	ALL	1	-	ALL	1	-	ALL
4	111585	DUST CAP W/CHAIN	1	-	ALL	1	-	ALL	1	-	ALL	1	-	ALL
5	111259	MANIFOLD, 1/4 X 16 PORT	X	X	1	1								
5	100147	MANIFOLD, 1/8 X 18 PORT	2	X	X	X	2	2	1	1	X	2	2	2
5	100170	MANIFOLD, 1/8 X 24 PORT	X	1	1	1	X	X	X	X	2	X	X	X
6	5404-20	HEX. PIPE NIPPLE, 1 1/4	1	-	ALL	1	-	ALL	1	-	ALL	1	-	ALL
7	5000-20-HEX	HEX. COUPLING, 1 1/4	1	-	ALL	1	-	ALL	1	-	ALL	1	-	ALL
8	72306	STREET ELBOW, 1" NPT	2	1	1	1	2	2	1	1	2	2	2	2
9	100172	HOSE BARB, 1/8 X 3/8 HOSE	28	24	X	X	36	29	18	16	42	35	22	18
10	111510	HOSE BARB, 1/4 X 3/8 HOSE	1	1	15	13	1	1	1	1	1	1	1	1
11	200277	HOSE BARB, 1 X 1 HOSE	3	2	2	2	3	3	2	2	3	3	3	3
12	72025	PIPE PLUG, 1/8 NPT	8	X	X	X	X	7	X	2	6	1	14	18
12	72019	PIPE PLUG, 1/4 NPT	X	X	3	5								
13	602305	HOSE CLAMP, (WIRE TYPE)	56	48	28	24	72	58	36	32	85	70	44	36
14	72292	TEE, 1" NPT	1	X	X	X	1	1	X	X	1	1	1	1
15	15017005	TUBING 3/8" (FT.=)	325	440	280	240	545	450	440	390	840	700	440	360
16	15018576	TUBING 1" (FT.=)	31	3	3	3	31	31	3	3	31	31	31	31
17	200252	HOSE CLAMP, (SCREW TYPE)	6	2	2	2	6	6	2	2	6	6	6	6
18	100352	GAUGE, (0-60)	1	-	ALL	1	-	ALL	1	-	ALL	1	-	ALL
19	609220	HYD. HOSE, 1/4 X 22 FT.	2	-	ALL	2	-	ALL	2	-	ALL	2	-	ALL
20	70245	MANIFOLD STAND	2	X	X	X	2	2	X	X	2	2	2	2
21	47010168	GAUGE BRACKET	1	-	ALL	1	-	ALL	1	-	ALL	1	-	ALL
22	47010175	NH3 STAND ASSEMBLY	1	-	ALL	1	-	ALL	1	-	ALL	1	-	ALL
23	18056822	3/8-16 NC X 1" BOI			X	2								
24	18406800	3/8 LOCKWASHER			X	2								

# NH3 DISTRIBUTION STAND AND BREAK-AWAY COUPLING DEVICE INSTALLATION, OPERATION AND MAINTENANCE INSTRUCTIONS

NH3STNDKIT2  
REV 08-29-12

## BREAK-AWAY COUPLING DEVICE & NH3 STAND

THE PURPOSE OF THE BREAK-AWAY COUPLING DEVICE IS THAT IN THE EVENT OF A TRAILING NURSE TANK WAGON BECOMING INADVERTENTLY UNHITCHED AND DISCONNECTED FROM THE TOOLBAR, THE BREAK-AWAY COUPLING IS INSTALLED TO PROVIDE AN AUTOMATIC VALVE CLOSURE TO REDUCE THE AMOUNT OF NH3 THAT IS RELEASED INTO THE AIR AND REDUCE THE HAZARD TO THE TOOLBAR OPERATOR AND OTHERS.

THE NH3 STAND MOUNTS THE BREAK-AWAY COUPLING DEVICE TO THE TOOLBAR SECURELY BUT ALLOWS THE COUPLING DEVICE TO SWIVEL FREELY AND ALLOWS IT TO SAFELY DISCONNECT DURING AN INCIDENT WITHOUT CAUSING DAMAGE TO THE BREAK-AWAY COUPLING DEVICE. THE HOSE OR FITTINGS ATTACHED TO THE COUPLER AT THE SWIVEL BRACKET MUST NOT CATCH ON ANYTHING THAT WOULD PREVENT THE REQUIRED MOVEMENT DURING A PULL-AWAY EVENT.

## NH3 STAND/ BREAK AWAY COUPLER INSTALLATION PROCEDURE

1. BOLT THE PRE-ASSEMBLED NH3 STAND ASSEMBLY TO THE REAR OF THE TOOLBAR CENTERED OVER THE FIELD HITCH USING U-BOLTS OR SUPPLIED BRACKETS. SEE YOUR SPECIFIC TOOLBAR MODEL OWNERS MANUAL AND NH3 STAND ILLUSTRATION FOR PARTS REQUIRED. (REF DETAIL A) MAKE SURE THE NH3 STAND DECALS CAN BE EASILY READ FACING THE REAR OF THE TOOLBAR. IMPORTANT! INSTALL THE BREAK-AWAY COUPLING MANUFACTURERS WARNING DECAL ON THE TOOLBAR CENTERED OVER THE FIELD HITCH WHERE IT CAN BE EASILY READ.

2. MOUNT THE BREAK-AWAY COUPLER PER THE INSTRUCTIONS INCLUDED BY THE SPECIFIC COUPLERS MANUFACTURER. THE MOUNTED COUPLER MUST BE ABLE TO FREELY SWIVEL APPROXIMATELY 80 DEGREES TO EACH SIDE AND ABOUT 30 DEGREES UP AND DOWN. (REFERENCE DETAILS B AND C) BE SURE TO READ AND FOLLOW ALL MANUFACTURERS SAFETY PRECAUTIONS. THIS MUST BE DONE SO THE COUPLER WILL BE PRESENTED WITH A STRAIGHT PULL BY THE HOSE IN THE EVENT OF A SITUATION WHERE THE NURSE TANK COMES FREE OF ITS ATTACHMENT TO THE TOOLBAR.

IF THE COUPLER CANNOT SWIVEL PROPERLY, THE HOSE MAY PULL AT AN ANGLE WHICH CAUSES THE SEPARATION FORCE TO INCREASE GREATLY AND MAY BIND THE COUPLER PREVENTING SEPARATION. SINCE PULL AWAY EVENTS OFTEN OCCUR DURING A TURN, THE ABILITY OF THE COUPLER TO SWIVEL IS DESCRIBED AS CRITICAL TO THE OPERATION OF THE BREAK-AWAY COUPLING DEVICE.

ALL PIPING AND VALVES IN THE SYSTEM SHOULD BE ABLE TO WITHSTAND A PULL FORCE GREATER THAN 450 POUNDS. READ ALL MANUFACTURERS OPERATING INSTRUCTIONS AND DECALS BEFORE WORKING WITH ANY CONNECTIONS. READ AND FOLLOW THE BREAK-AWAY DEVICE MANUAL FOR CONNECTION AND DISCONNECTION PROCEDURES AND SAFETY PRECAUTIONS.

## SAFETY

WHEN WORKING WITH NH3 CONNECTIONS, WEAR PROTECTIVE CLOTHING, GOGGLES AND GLOVES AND HAVE EMERGENCY WATER AVAILABLE FOR WASHING. ALWAYS STAND ON THE UPWIND SIDE AND AVOID BREATHING IN ANY CHEMICAL VAPORS.

## MAINTENANCE

BEFORE EACH USE, VISUALLY INSPECT THE BREAK-AWAY COUPLING FOR LEAKS, DAMAGED OR BROKEN COMPONENTS. ALSO CHECK THAT THE NH3 STAND OPERATES PROPERLY, THAT THE VERTICAL SPRING IS NOT BROKEN, AND ALLOWS FREE SWIVEL MOVEMENT AS SHOWN IN DETAILS B & C AND SPRINGS BACK INTO THE NORMAL OPERATING POSITION AS SHOWN IN DETAIL A. CHECK AND TIGHTEN ALL HARDWARE AS NEEDED. THE BREAK AWAY COUPLING DEVICE SHOULD BE FULLY INSPECTED AT LEAST ONCE A YEAR OR REPLACED OR REPAIRED AS REQUIRED. REPLACE ENTIRE COUPLER BASED ON EXPIRATION DATES ON COUPLER DECALS.

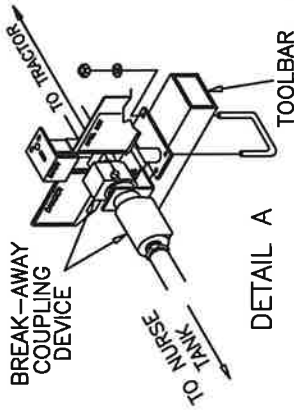
## MANUALLY DISCONNECT OR RECONNECT INSTRUCTIONS

**ANGER! DO NOT DISCONNECT OR RECONNECT UNDER PRESSURE**

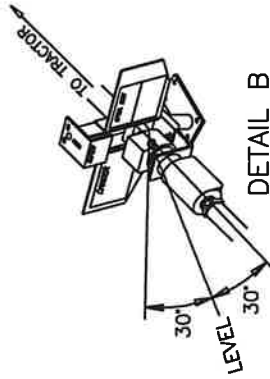
READ AND UNDERSTAND THE BREAK-AWAY COUPLING DEVICE MANUFACTURERS INSTRUCTIONS, WARNINGS AND SPECIFICATIONS BEFORE ATTEMPTING TO MANUALLY DISCONNECT OR RECONNECT THE COUPLING. FOLLOW THE BREAK -AWAY COUPLING DEVICE MANUFACTURERS BLEEDING THE SYSTEM PROCEDURES LISTED IN THEIR OWNERS MANUAL OR ON THEIR DANGER DECAL. ALWAYS WEAR PROTECTIVE GOGGLES, GLOVES, CLOTHING AND HAVE EMERGENCY WATER AVAILABLE FOR WASHING WHEN WORKING WITH NH3. ALWAYS DIRECT BLEEDS AWAY FROM YOUR FACE OR BODY.

## WARNING

FAILURE TO READ AND UNDERSTAND THE INSTRUCTIONS CONTAINED IN THESE INSTALLATION, OPERATION, AND MAINTENANCE INSTRUCTIONS COULD LEAD TO PROPERTY DAMAGE, SERIOUS INJURY OR DEATH! READ AND UNDERSTAND THE BREAK-AWAY COUPLING AND NH3 STAND MANUFACTURERS MANUALS COMPLETELY.

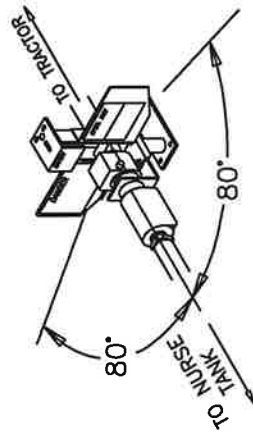


DETAIL A



DETAIL B

MUST SWIVEL A MINIMUM OF 30° UP AND 30° DOWN (VERTICAL MOVEMENT) (SHOWN 30° DOWN)

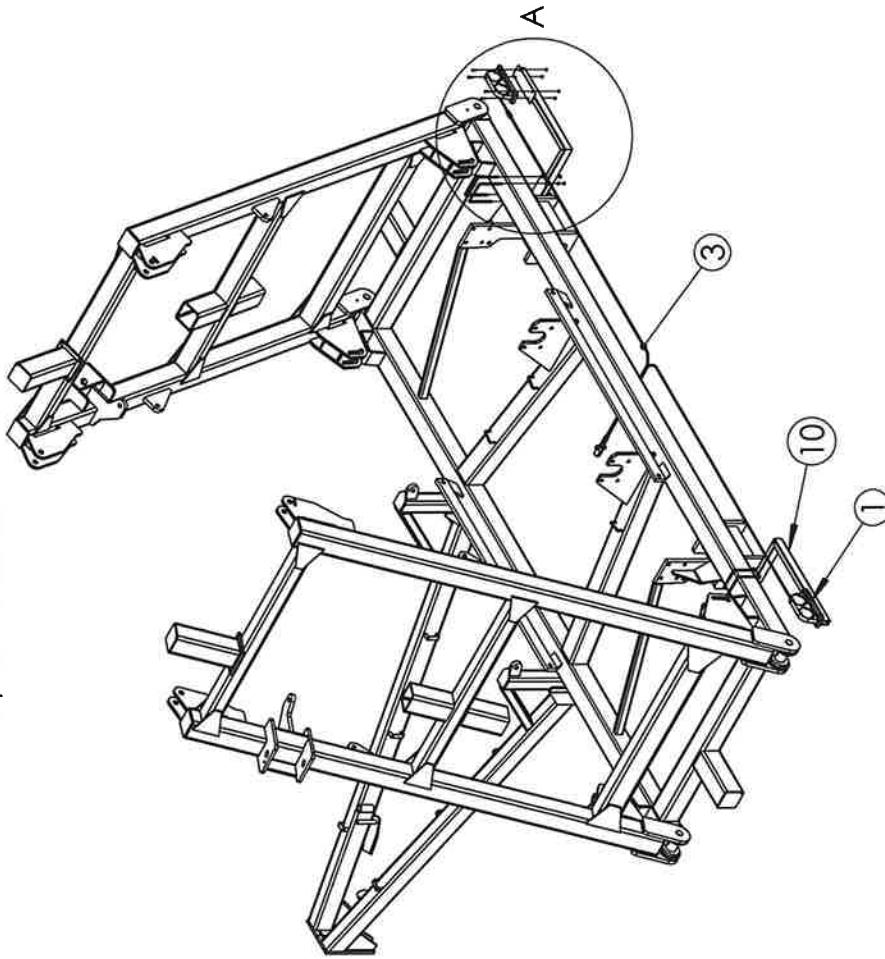


DETAIL C

MUST SWIVEL A MINIMUM OF 80 DEGREES RIGHT AND 80° LEFT (HORIZONTAL MOVEMENT)

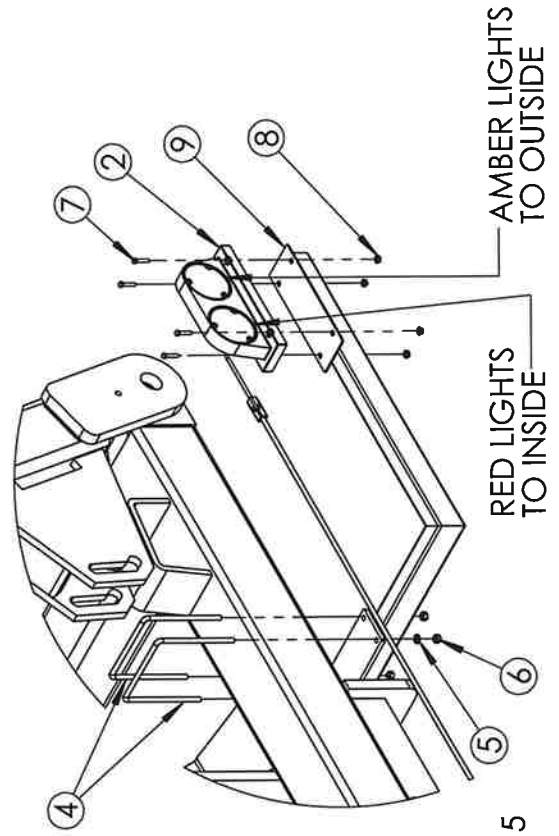
# SAFETY LIGHT KIT FOR TOOLBARS

P/N: 47999789



AMBER REPLACEMENT LENS PN 802650  
RED REPLACEMENT LENS PN 802651

ITEM NO.	PART NUMBER	DESCRIPTION	QTY.
1	54209-008	DUAL LAMP ASSY, LH	1
2	54209-022	DUAL LAMP ASSY, RH	1
3	71675	35' HD CABLE WITH 7 PIN PLUG	1
4	47009986	U-BOLT, 3/8-16NC.	4
5	18891200	LOCKWASHER, 3/8 ZC	8
6	18436800	NUT 3/8 NCZC	8
7	18055724	BOLT HX CAP G5 NCZC 1/4 X 1 1/4	8
8	18495700	NUT HX SER FLG 1/4 NC ZC	8
9	47009789	LITE BRACKET, LH	1
10	47009790	LITE BRACKET, RH	1
11	504560	NYLON TIE STRAP	5



DETAIL A  
SCALE 1 : 15

# DOUBLE DISK SEALER ASSEMBLY WITH FLOATING ARMS

ASSEMBLY P.N. 40034010 SMOOTH 18" DISK  
40034011 NOTCHED 18" DISK

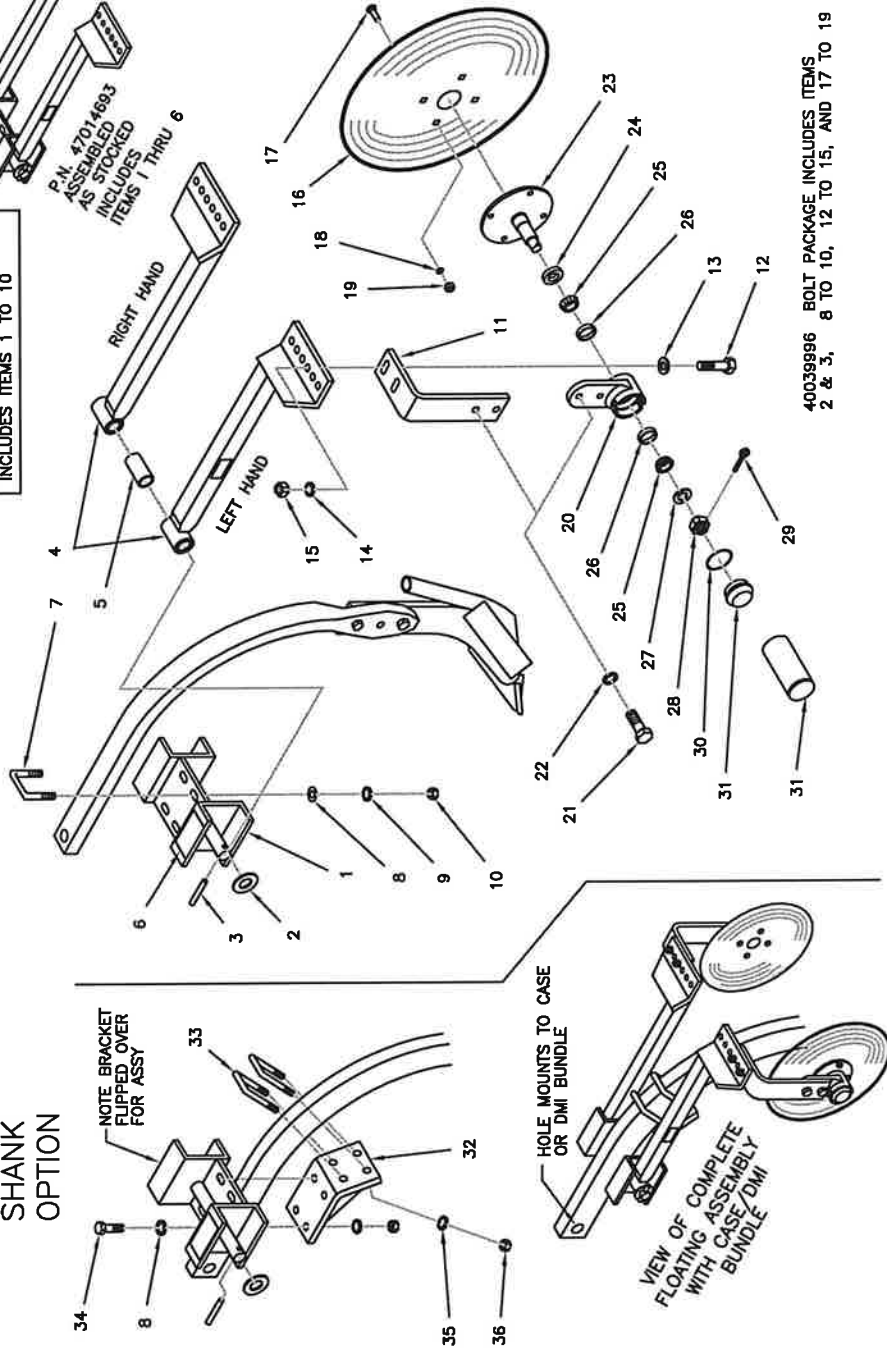
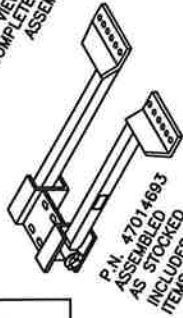
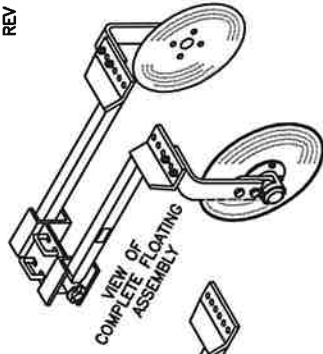
**KIT TO CONVERT**  
EXISTING 18 INCH DISK SEALER  
TO FLOATING ARM STYLE  
P.N. 47994693  
INCLUDES ITEMS 1 TO 10

CASE/DMI  
SHANK  
OPTION

NOTE BRACKET  
FLIPPED OVER  
FOR ASSY

HOLE MOUNTS TO CASE  
OR DMI BUNDLE

VIEW OF COMPLETE  
FLOATING ASSEMBLY  
WITH CASE/DMI  
BUNDLE



ITEM	PART NO.	DESCRIPTION	QTY
1	47004693	MOUNTING BRACKET (W/DECAL)	1
2	18852200	FLAT WASHER, 1" SAE, ZC.	2
3	18511036	EXPANSION PIN, 3/8 X 2 1/4	2
4	47004697	PIVOT ARM, L.H. (INCL. ITEM 5)	1
5	47004698	PIVOT ARM, R.H. (INCL. ITEM 5)	1
6	47009952	FIBER BUSHING, (1" I.D. X 2 1/2")	1
7	97445303	DECAL, "AG SYSTEMS" SMALL	2
8	47008396	U-BOLT, 1/2-13NC. (2" SHANK)	2
9	18811400	FLAT WASHER, 1 1/2	2
10	18417400	LOCK WASHER, 1 1/2	2
11	47009821	DISK ARM, 1/2-13NC. X 2	2
12	18057430	BOLT, 1/2-13NC. X 2	2
13	18811400	FLAT WASHER, 1 1/2	4
14	18811400	LOCK WASHER, 1 1/2	4
15	18417400	HEX NUT, 1/2-13NC.	4
16	44501810	OR DISK BLADE, SMOOTH EDGE	2
17	18176450	DISK BLADE, NOTCHED EDGE	OPT.
18	18891200	CARRIAGE BOLT, 3/8-16NC. X 1	8
19	18436800	LOCK WASHER, 3/8	8
20	47109558	HEX NUT, 3/8-16NC. HUB ASSEMBLY COMPLETE	2
21	47009558	HUB WITH CUPS, ITEM 20 TO 31	2
22	18057523	BOLT, 1/2-20NF. X 1 1/4	4
23	18891400	LOCK WASHER, 1/2	4
24	40030328	SPINDLE WITH FLANGE	2
25	40030325	GREASE SEAL	2
26	10659	BEARING CONE	4
27	18841800	FLAT WASHER, 3/4 SAE (1 1/2 O.D.)	4
28	18458600	SLOTTED NUT, 3/4-16NF	2
29	18560722	COTTER PIN, 5/32 X 1	2
30	47999558	O-RING, DUST SEAL	2
31	47005911	DUST CAP	2
31A	47005902	DUST CAP INSTALLATION TOOL (OPTIONAL)	1
32	47005794	FLOATING ARM BRKT CASE/DMI SHANK	1
33	47008397	U-BOLT-AG 3/2 X 1 5/16 W	2
34	18057428	BOLT, HEX HD GR5ZC 1/2 X 1 3/4	4
35	18891400	LOCK WASHER, 1/2	4
36	18417400	HEX. NUT, 1/2-13NC.	4

40039996 BOLT PACKAGE INCLUDES ITEMS  
2 & 3, 8 TO 10, 12 TO 15, AND 17 TO 19

# ASSEMBLY INSTRUCTIONS

## DISK COVER SEALER

### 18 INCH WITH FLOATING ARMS

Your disc cover sealer assembly is partially assembled at the factory. The spindle (item 23) and all hub components are pre-assembled and greased for life.

1. Due to the weight of a complete disk sealer assembly, it is recommended that the disk sealer be assembled to a shank already mounted on a toolbar. Position the mounting bracket (item 1) on the bottom side of the shank (as illustrated) and the u-bolt straddling the top of the shank. The mounting bracket should be located on the flat part of the shank. When using the disk sealer with a "Hi-Trip" spring bundle, position the mounting bracket as far forward on the shank as the spring bundle bracket will allow. Securely tighten the hardware.

2. Position the pivot arm (item 4) left hand and right hand, to the mounting bracket (item 1) and assemble with the washers (item 2) and the expansion pins (item 3).

3. Secure the disk arm (item 11) in a vice and assemble the hub assembly to the arm with the bolts (item 21) and lock washers (item 22). Assemble the disk (item 16) to the spindle flange with the bolts (item 17) and hardware items (18 and 19). There is no difference between the left hand and right hand assemblies.

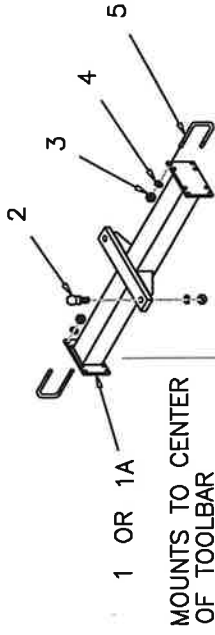
4. Mount the disk arm assemblies to the pivot arms with the bolts (item 12) and hardware (items 13, 14 and 15) as illustrated with the nut on top of the pivot arm plate. The suggested start-up position would be to mount the disk arm in the holes in the pivot arm plate that are farthest to the outside. The slotted holes in the disk arm provide the angular adjustment for the disk. Position the disks at the desired angle and tighten the hardware securely.



# TWIN BALL HITCH MOUNT

85KMONTAGCART  
09-17-10

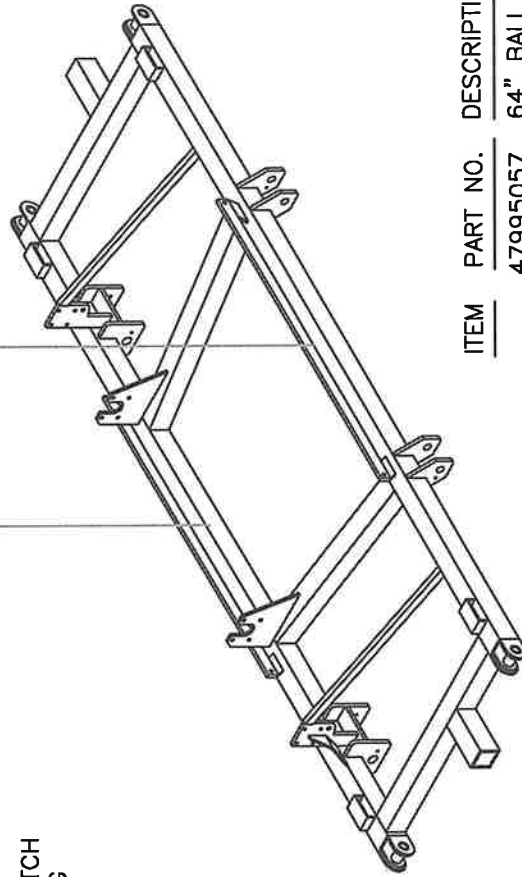
FOR MONTAG STEERABLE CART  
ON 8500 AND DMI 5300 TOOLBARS



6 AG26 MONTAG CART FIELD HITCH  
MOUNTS TO REAR OF MONTAG  
STEER CART ONLY



FOR MONTAG CART FIELD HITCH  
SERVICE PARTS SEE SEPARATE  
ILLUSTRATION "AG26 MONTAG"

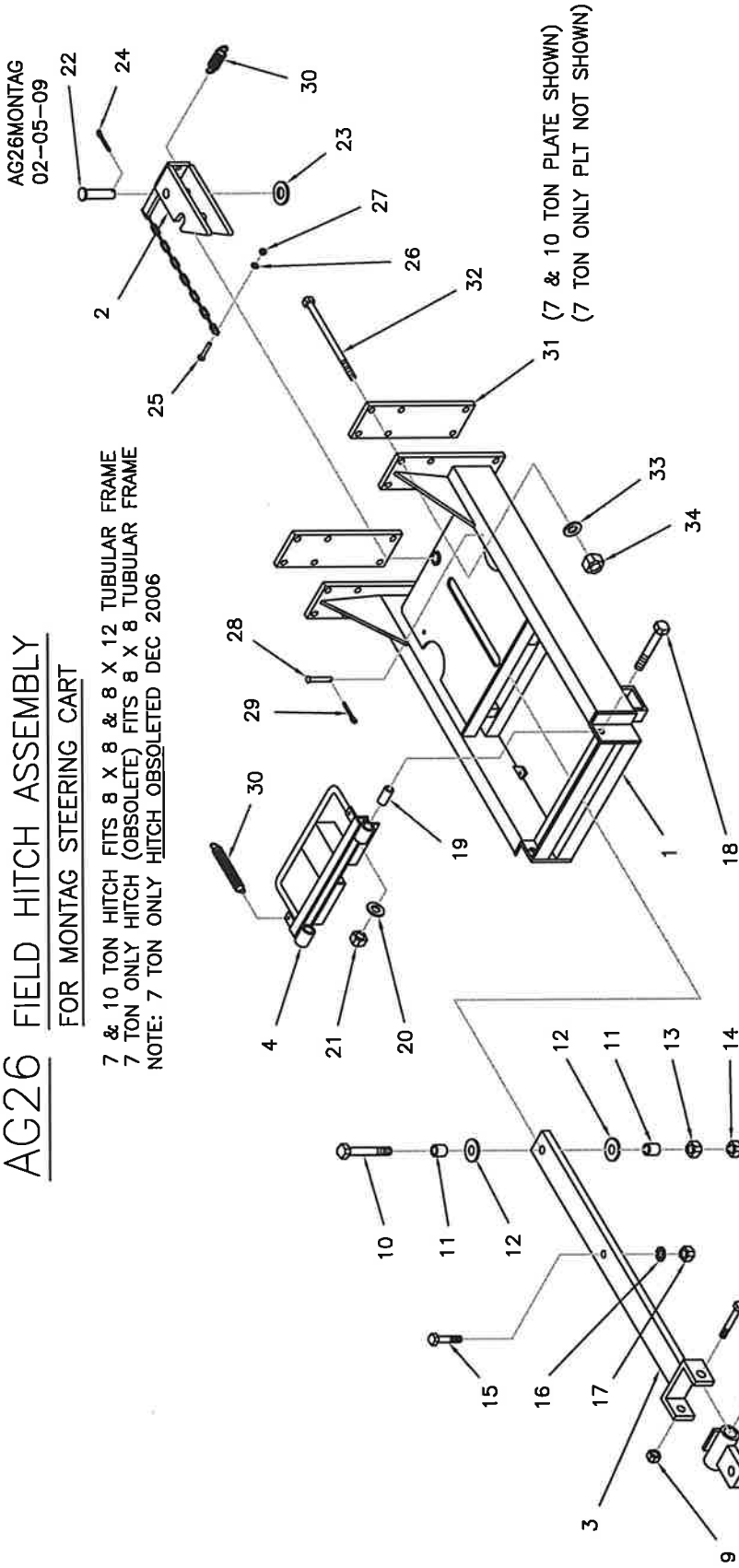


ITEM	PART NO.	DESCRIPTION	QTY
	47995057	64" BALL HITCH ASSY (INCLUDES ITEMS 1 & 3 THRU 5)	1
	47995136	54" BALL HITCH ASSY DMI (INCLUDES ITEMS 1A & 3 THRU 5)	1
1	47015057	64" BALL HITCH WELDT (FITS 8500 ONLY)	1
1A	47005136	54" BALL HITCH WELDT (FITS DMI 5300 ONLY)	1
2	47002516	HITCH BALL W HARDWARE (included with Montag Autosteer cart)	2
3	18417900	HEXNUT, 5/8	16
4	18891600	LOCKWASHER, 5/8	16
5	47009847	U-BOLT, 5/8 (8500)	8
	47007083	U-BOLT, 5/8 (DMI)	8

# AG26 FIELD HITCH ASSEMBLY

## FOR MONTAG STEERING CART

7 & 10 TON HITCH FITS 8 X 8 & 8 X 12 TUBULAR FRAME  
 7 TON ONLY HITCH (OBSOLETE) FITS 8 X 8 TUBULAR FRAME  
 NOTE: 7 TON ONLY HITCH OBSOLETE DEC 2006



ITEM	PART NO.	DESCRIPTION	QTY.	ITEM	PART NO.	DESCRIPTION	QTY.
1	40269900	HITCH ASSY (7 TON ONLY) OBS 2006	1	15	18058430	BOLT, 3/4-10 NC. X 2	1
2	40268599	HITCH ASSY (7 & 10 TON) COMPLETE	1	16	18891800	LOCKWASHER, 3/4	1
3	40269901	HITCH ASSY (7 TON ONLY) LESS MTG	1	17	18418400	HEX. NUT, 3/4-10NC.	1
4	40268598	HITCH ASSY (7 & 10 TON) LESS MTG	1	18	18057940	BOLT, 5/8-11NC. X 3 1/2	2
5	47005153	BOLTS OBSOLETE 2006	1	19	47008877	PIVOT BUSHING, SAE.	2
6	47005227	BOLTS INCLUDES ITEMS, 1 THRU 30	1	20	18851600	FLATWASHER, 5/8-11NC.	2
7	47008852	MAIN FRAME, 7 TON ONLY	1	21	18457900	LOCKNUT, 5/8-11NC.	2
8	47008853	MAIN FRAME, 7 & 10 TON MONTAG	1	22	18541551	CATCH PIVOT PIN,	1
9	47008854	DRAWBAR CATCH	1	23	18842200	FLATWASHER, 1", SAE X 4	1
10	47008854	DRAWBAR LOCK (SEE NOTE 1)	1	24	18560826	COTTER PIN, 3/16 X 1 1/2	1
11	47008914	DRAWBAR HITCH, INCLUDES ITEMS, 6 AND 7	1	25	18055722	BOLT, 1/4-18NC. X 1	1
12	47008918	FIBER BUSHING	2	26	18891000	LOCKWASHER, 1/4 NOM. I.D.	1
13	47008919	SPECIAL BUSHING	1	27	18435700	HEX. NUT, 1/4-18NC.	1
14	47008920	HEX. LOCKNUT, 1-8NC. X 6 7/8	1	28	18541147	CLEVIS PIN, 5/16 X 2 1/4	1
15	18459000	CATCH BUSHING, 7/8 I.D.	1	29	18560622	COTTER PIN, 1/8 X 1	1
16	18098539	BOLT, 7/8-9NC. X 5 1/2	1	30	000018	EXTENSION SPRING	3
17	47009459	FLATWASHER, 1 1/4 NOM. I.D. (SAE)	2	31	47005155	CLAMPING PLATE (7 TON ONLY)	2
18	18852400	HEX. NUT, 7/8-9NC.	1	32	47005229	CLAMPING PLATE (7 & 10 TON)	2
19	18417800	LOCKNUT, 7/8-9NC.	1	33	40269998	BOLT PKG. INCL. ITEMS 32 THRU 34	8
20	18458000		1	34	18058486	BOLT HEX 3/4-10 X 1 1/2 GR 5	8
					18891800	LOCKWASHER, 3/4 NOM. I.D.	8
					18418400	HEX. NUT, 3/4-10NC.	8

# BREAK-AWAY COUPLING DEVICE (BACD) SWING ARM ASSEMBLY FOR NH3 TOOLBARS

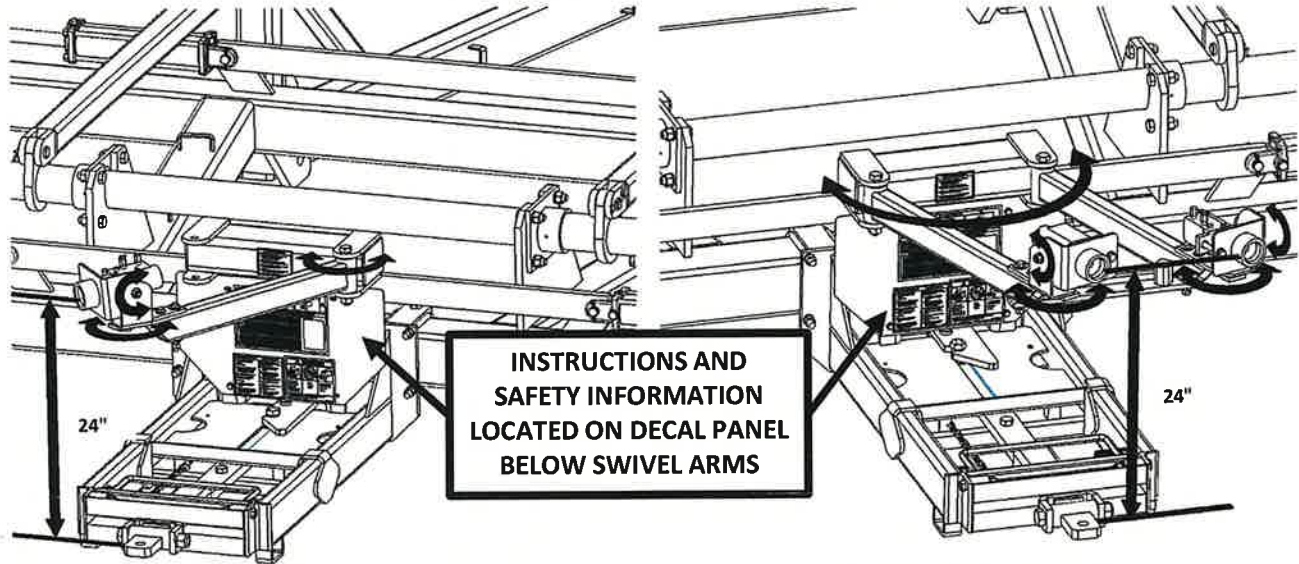


Figure 1: Single Swing Arm

Figure 2: Dual Swing Arms

The purpose of the break-away coupling device (BACD) is to provide an automatic valve closure to limit the potential hazard of NH<sub>3</sub> released to the atmosphere in the event of a trailing nurse tank becoming inadvertently unhitched and disconnected from the toolbar.

The Heartland Ag Systems Equipment swing arm style NH<sub>3</sub> stand securely mounts the BACD to the toolbar while allowing it to freely swivel over 80° left to right (horizontally) and 30° up and down (vertically) in each direction as well as positions the coupler 24" above the nurse tank hitch connection point as shown above in figures 1 and 2. "Super Shooter" style NH<sub>3</sub> stands were discontinued in 2015 and should be updated to the swing arm style NH<sub>3</sub> stands.

Follow the BACD manufacturer's installation, maintenance, and operation recommendations. Refer to your specific toolbar model owners manual for NH<sub>3</sub> stand assembly detail and parts requirements. Before each use visually inspect the BACD for leaks, damage, or loose components. Also check that the NH<sub>3</sub> stand operates properly and all decals are in place and can be easily read. Be sure to follow all manufacturer's safety precautions - **FAILURE TO READ AND UNDERSTAND THE SAFETY INSTRUCTIONS COULD LEAD TO PROPERTY DAMAGE, SERIOUS INJURY, OR DEATH.** The BACD must be fully inspected annually and repaired or replaced as required.

When working with NH<sub>3</sub> connections wear protective clothing, goggles, and gloves and have emergency water available. Always stand on the upwind side and avoid breathing in chemical vapors. **DO NOT DISCONNECT OR RECONNECT UNDER PRESSURE.**

The links and QR Codes below direct you to the MN Department of Agriculture BACD parts and installation videos.

NH<sub>3</sub> Break-Away Coupling Device Installation  
(<https://www.youtube.com/watch?v=OEPNeNZwvCE>)



NH<sub>3</sub> Break-Away Coupling Device Parts  
(<https://www.youtube.com/watch?v=Rn1Ro8jWh3M>)



The links and QR codes below direct you to the Continental and Squibb Taylor BACD operating/installation instructions.

Continental B-SWV-125 & B-SWV-150-G Couplers  
(<http://www.continentalnh3.com/pdfs/B-SWV-125%20150%20G.pdf>)



Squibb Taylor Flo-Max Couplers  
([http://www.squibbtaylor.com/uploaded/FM1.25-1000%20\(2008\).pdf](http://www.squibbtaylor.com/uploaded/FM1.25-1000%20(2008).pdf))



